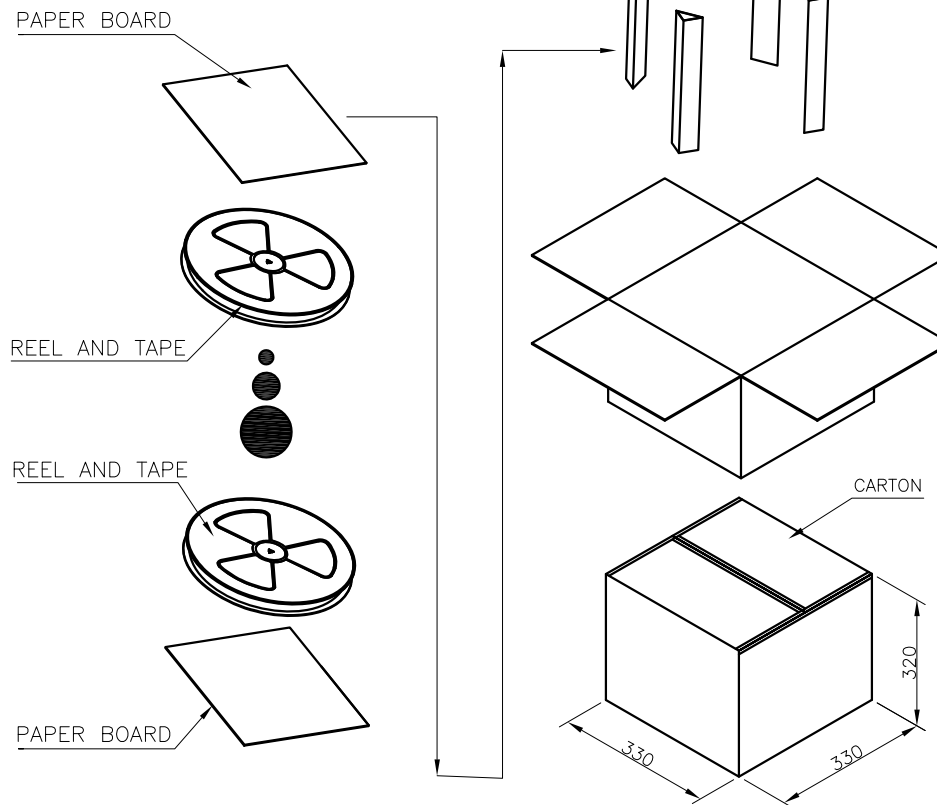
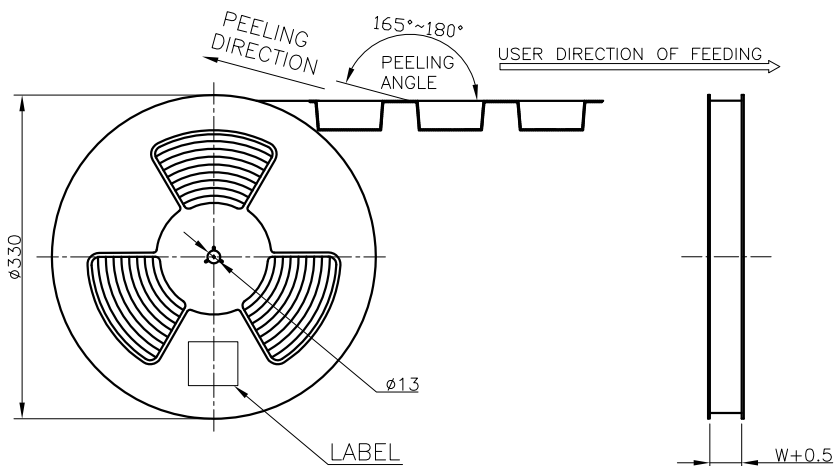


← PRODUCT PACKAGING DIRECTION
 CUSTOMER TO USE DIRECTION →



CONN. PART NO.	CONN. QTY./REEL	REEL QTY./CARTON	CONN. QTY./CARTON
KWUB31A-16 C2-N V3 TA-DGA838	1000	10	10000 PCS

DATE	OLD REV	NEW REV	ECN	DESCRIPTION	CHECK	APPROVAL
1			2			4

GENERAL TOLERANCE	
.X	±0.30
.XX	±0.20
.XXX	±0.10

昆旺精密连接器有限公司 VIGORCONN PRECISION CONNECTOR CO., LTD			
APPROVAL	CHECK	DRAWN	DATA
Kim Huang	Jova Lau	Wuxiaotao	2019/01/31

PART NO. KWUB31A-16 C2-N V3 TA-DGA880			
TITLE. TYPE C 16PIN 四脚全插间距3.8母座5.8L			
UNIT	SCALE	NUMBER	REV
MM	1:1	A-022	A

1 2 3 4 5 6 7 8