

TABLE:

40	24.00	11.50	17.4	8000
30	16.00	7.50	17.4	
24				
10				
NUMBER OF CONTACTS	A	B	C	QTY/REEL



							<b>GENERAL TOLERANCE</b> .X ±0.30 .XX ±0.20 .XXX ±0.10		<b>昆旺精密连接器有限公司</b> VIGORCONN PRECISION CONNECTOR CO., LTD				<b>PART NO.</b> CH026-0XX-02F					
									<b>APPROVAL</b> Kim. Huang		<b>CHECK</b> Jova		<b>DRAWN</b> Hekewei		<b>DATA</b> 2019/04/27		<b>TITLE.</b> 0.4MM BTB (MATING HEIGHT 0.8H)	
<b>DATE</b>	<b>OLD REV</b>	<b>NEW REV</b>	<b>ECN</b>	<b>DESCRIPTION</b>	<b>CHECK</b>	<b>APPROVAL</b>	<b>PROJECT</b>		<b>UNIT</b>	<b>SCALE</b>	<b>NUMBER</b>	<b>REV</b>						
									MM	1:1	A-000	A						

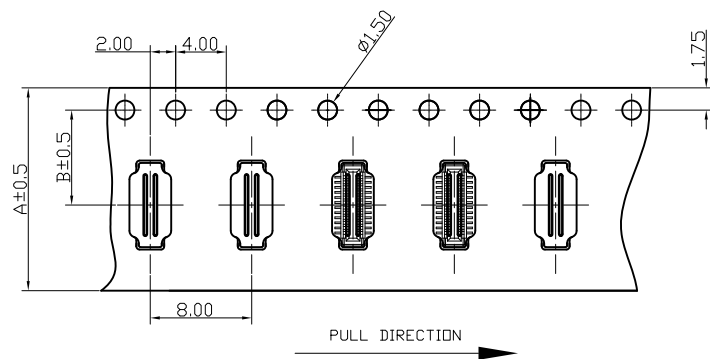
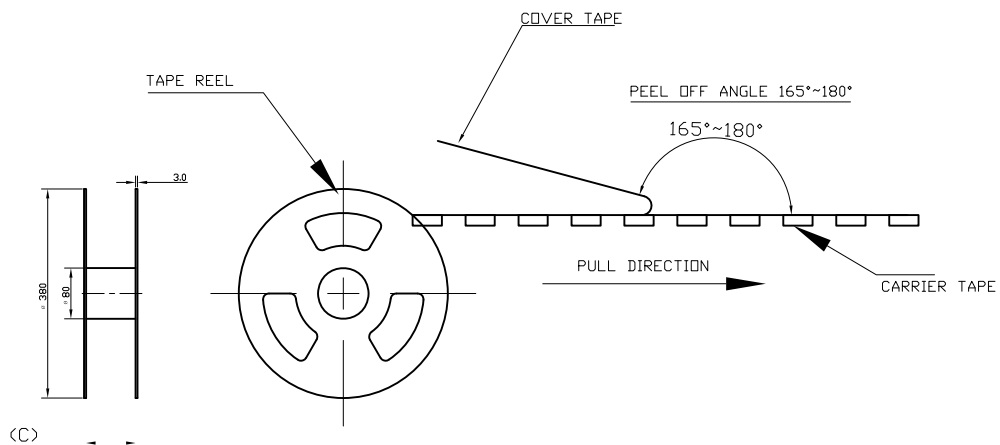


TABLE:

50	24.00	11.50	25.4	10000
40				
30	16.00	7.50	17.4	
24				
10	A	B	C	



							<b>GENERAL TOLERANCE</b> .X ±0.30 .XX ±0.20 .XXX ±0.10		<b>昆旺精密连接器有限公司</b> VIGORCONN PRECISION CONNECTOR CO., LTD				<b>PART NO.</b> CH026-0XX-02M			
									<b>APPROVAL</b> Kim. Huang <b>CHECK</b> Jova <b>DRAWN</b> Hekewei <b>DATA</b> 2019/04/27		<b>TITLE.</b> 0.4MM BTB (MATING HEIGHT 0.8H)					
<b>DATE</b>	<b>OLD REV</b>	<b>NEW REV</b>	<b>ECN</b>	<b>DESCRIPTION</b>	<b>CHECK</b>	<b>APPROVAL</b>	<b>PROJECT</b>	<b>UNIT</b>	<b>SCALE</b>	<b>NUMBER</b>	<b>REV</b>					
								MM	1:1	A-000	A					