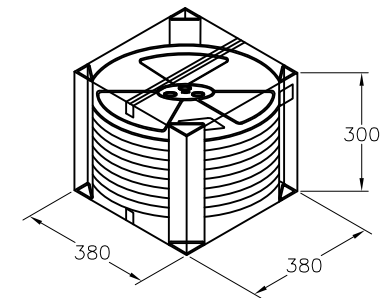
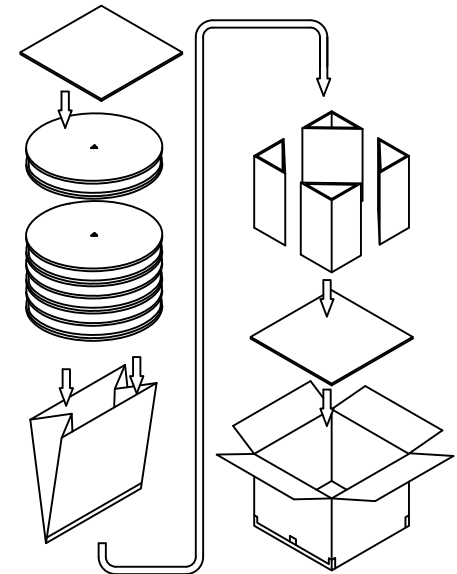


SCALE 3:20

NOTES:

1. ALL DIMENSION MEET EIA-481-3 REQUIREMENTS;
2. CARRIER MATERIAL: PS, BLACK;
3. PACKING QUALITY: 5000PCS/REEL;



PACKING DISCRPTION:

PIN No.	13~39	41~51	53~71
REEL WIDTH	24.4	32.4	44.4
PCS/REEL	5000	5000	5000
REEL/BOX	9	7	6
BOX/PCS	45K	35K	30K
CTN. SIZE	400*400*300		

PIN NO.	DIM W	DIM F	DIM So
13~39	24.0	11.50±0.10	--
41~51	32.0	14.20±0.10	28.4
53~71	44.0	20.20±0.15	40.4



GENERAL TOLERANCE

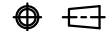
- .X ±0.30
- .XX ±0.20
- .XXX ±0.10

昆旺精密连接器有限公司
VIGORCONN PRECISION CONNECTOR CO., LTD

PART NO. F0310AH-0xxx10M

TITLE: 0.3mm PITCH ZIF BACK-FLIP FPC CONN SMT R/A D/C

PROJECT



APPROVAL: Kim Huang, CHECK: Jova Lau, DRAWN: Wuxiaotao, DATA: 2018/04/20

UNIT	SCALE	NUMBER	REV
MM	1:1	A-000	A

DATE	OLD REV	NEW REV	ECN	DESCRIPTION	CHECK	APPROVAL