



Type Document	Crimp Specification	Revised /Edition	A
Date Issued:		Data Revised:	2014/11/03
Subject: 9862T-PXX 1.25mm Pitch Wire to Board Series Terminal.			Issued By: Engineering Dept.

Description:

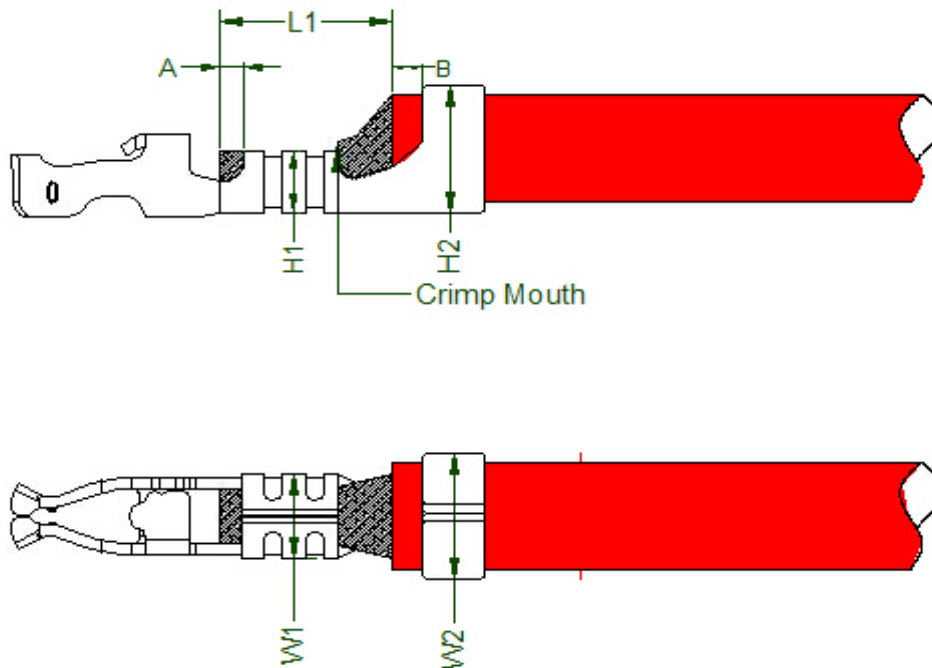
Height and width of crimped core should be set as required.

(Crimped height and width of wire barrel)

According to the external diameter and the type of electric wire, the width of crimped sheath shall be adjusted wire won't be easily taken off from contact nor too much crimped.

(Crimped width of insulation barrel)

Position Graph:



Note:

1. Conductor crimp width. W1
2. Conductor crimp height. H2
3. Insulator crimp width. W1
4. Insulator crimp height. W2
5. Conductor wire shall be dimension long (mm) out A.
6. Naked part of sheathed wire must be located in the vicinity of center B.
7. The Crimp mouth must be equipped like Shell.



ShenZhen Vigorconn Precision Connector Co., Ltd.

ADD:Times Central Plaza 7C, Zhong Xin Lu, Shajin Street, Baoan District, Shenzhen City.

Tel : 0755-2303 3395 Fax : 0755-29308769 E-mail : jass.yang@vigorconn.com http://www.vigorconn.com.

Type Document	Crimp Specification	Revised /Edition	A
Date Issued:		Data Revised:	2014/11/03
Subject: 9862T-PXX 1.25mm Pitch Wire to Board Series Terminal.			Issued By: Engineering Dept.

Requirement:

Subject: UL 1571 or equivalent type electric wire					
AWG#	Conductor (mm ²)		Insulation Diameter	Insulator skins length	Dim. L (mm) out
#26~#32	0.14~0.04mm ²		1.00~0.65mm	1.2~1.7mm	0.5~0.7mm
Wire Gauge (AWG#)	Conductor Crimp Area		Insulator Crimp Area		Terminal Tensile Strength
	Width(W1)	Height(H1)	Width(W2)	Height(H2)	
#26	0.80~0.90mm	0.55~0.60mm	1.00mm Max	0.85~0.95mm	2.0Kgf
#28		0.50~0.55mm		0.80~0.85mm	1.0Kgf
#30		0.45~0.50mm		0.75~0.80mm	0.5Kgf
#32		0.40~0.45mm		0.70~0.75mm	0.3Kgf

Remarks:

Unlike equipments and crimp reel molds skill facility or not shall be difference to result in dissimilar.

Signature: JACK ENG

ShenZheng Vigorconn Precision CONNECTOR CO.,LTD