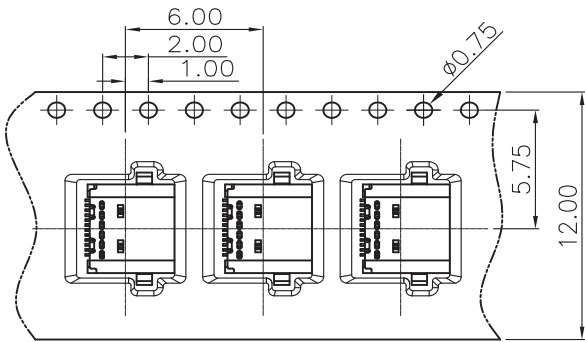


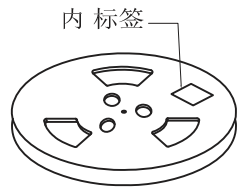
F
E
D
C
B
A

1 2 3 4 5 6 7 8

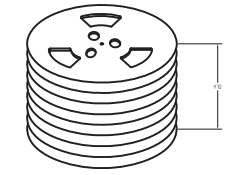
NOTE:
 1.MATERIAL:
 BOX: FIBREBOARD, CORRUGATED, DOUBLE WALL.
 TAPE: POLYSTYRENES, HEAT-RESISTANT TEMPERATURE: 120°C, BLACK COLOR.
 REEL: POLYSTYRENES, HEAT-RESISTANT TEMPERATURE: 70°C, BLUE COLOR.
 BAG: POLYETHYLENE, HEAT-RESISTANT TEMPERATURE: 100°C.
 2.PEELING STRENGTH: 0.1 ~ 1.3 N (10 ~ 130 GRAMS)
 3.PEELING SPEED: 300 mm/min.
 4.EACH BAG SHALL BE INCLUDED DESICCANT.



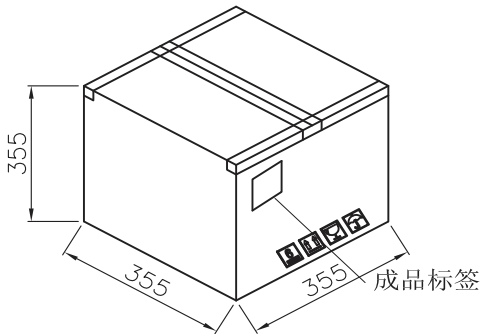
① 产品入载带示意图



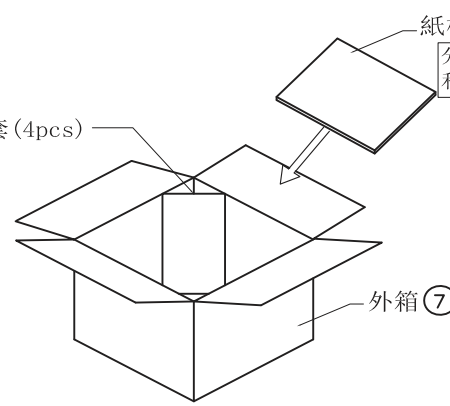
② 卷盘贴标签示意图



③ 10盘产品叠层示意图

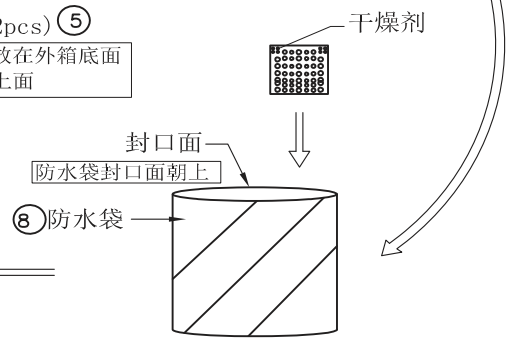


⑥ 外箱封箱示意图



⑤ 产品入外箱示意图

图四



④ 7盘产品入防水袋示意图

图三



1	成品		C TYPE母座成品	800
2	CARRIER TAPE	PET	W=24mm T=0.35mm	
3	COVER TAPE	PET	W=13.3mm T=0.05mm	
4	小标签		L102mm*W59mm	10
5	卷盘	PS	∅330MM*W28.5MM	10
6	天地板	K3K	L380mm*W380mm	2
7	外标签		L102mm*W102mm	1
8	三角柱	K=K	L300mm*W210mm	4
9	外箱	A=A	400mm*W400mm*33.5mm	1
10	防水袋	PS	L900mm*W800mm	1
11	干燥剂			1
ITEM	DESC.	MATERIAL	REMARKS	QTY

DATE	OLD REV	NEW REV	ECN	DESCRIPTION	CHECK	APPROVAL	PROJECT
1							
2							
3							
4							

GENERAL TOLERANCE	
.X	±0.30
.XX	±0.20
.XXX	±0.10

昆旺精密连接器有限公司 VIGORCONN PRECISION CONNECTOR CO., LTD			
APPROVAL	CHECK	DRAWN	DATA
Kim Huang	Jova Lau	Xiao Wen Xuan	2019/08/15

PART NO. KWUB31A-16 C2-L V3 TA-1670C			
TITLE. USB C TYPE 母座单排16PIN 包装规范			
UNIT	SCALE	NUMBER	REV
MM	1:1	A-00	A

1 2 3 4 5 6 7 8