

TABLE:

40	16.00	7.50	17.4	20000
30				
24				
10				
NUMBER OF CONTACTS	A	B	C	QTY/REEL



							GENERAL TOLERANCE .X ±0.30 .XX ±0.20 .XXX ±0.10				昆旺精密连接器有限公司 VIGORCONN PRECISION CONNECTOR CO., LTD				PART NO. CH18515-XX-X XF			
							APPROVAL Kim. Huang CHECK Jova DRAWN Hekewei DATA 2018/04/20				TITLE. 0.4mm BTB D/R RCPT SMT S/T TYPE							
DATE	OLD REV	NEW REV	ECN	DESCRIPTION	CHECK	APPROVAL	PROJECT	UNIT	SCALE	NUMBER	REV							
1							⊕ □	MM	1:1	A-000	A							

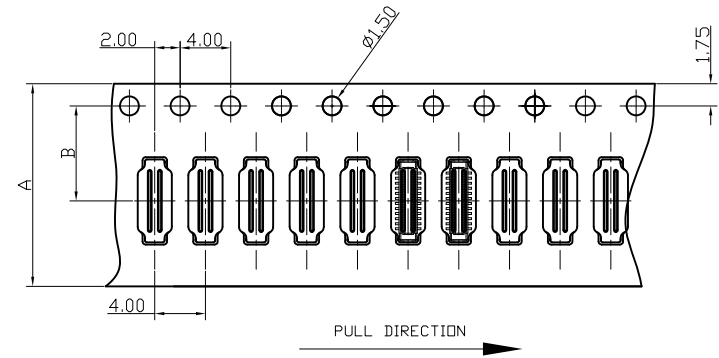
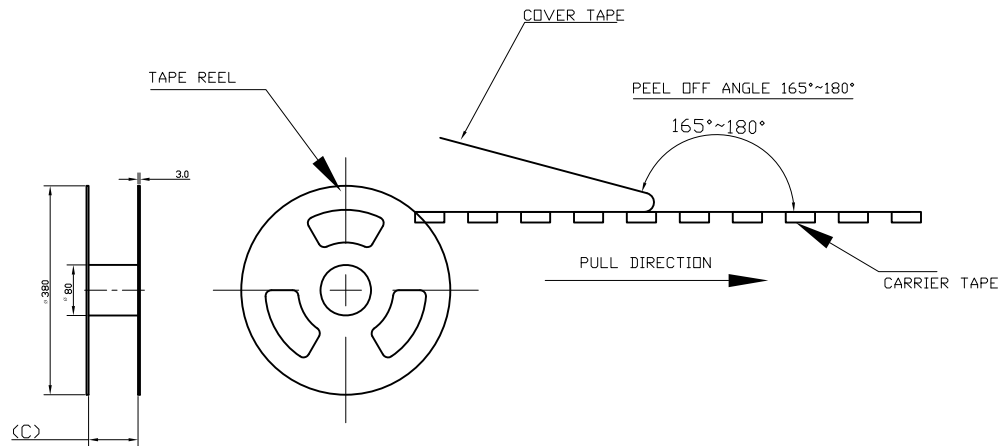


TABLE:

40	16.00	7.50	17.4	20000
30				
24				
10				
NUMBER OF CONTACTS	A	B	C	QTY/REEL



							GENERAL TOLERANCE .X ±0.30 .XX ±0.20 .XXX ±0.10				昆旺精密连接器有限公司 VIGORCONN PRECISION CONNECTOR CO., LTD				PART NO. CH18515-XX-X XF			
							APPROVAL CHECK DRAWN DATA				TITLE. 0.4mm B/TB D/R RCPT SMT S/T TYPE							
DATE	OLD REV	NEW REV	ECN	DESCRIPTION	CHECK	APPROVAL	PROJECT				Yu wei	2018/04/20	UNIT	SCALE	NUMBER	REV		
1			2			4							MM	1:1	A-000	A		