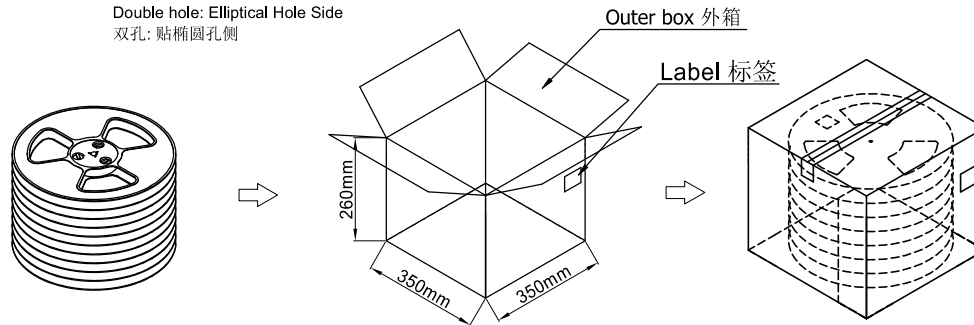
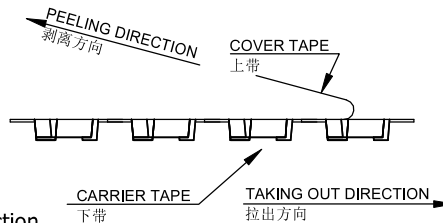
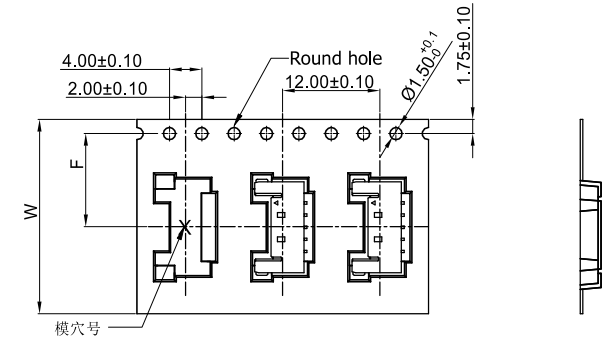


Single hole: None Hole Side
 单孔: 贴无链孔侧
 Double hole: Elliptical Hole Side
 双孔: 贴椭圆孔侧

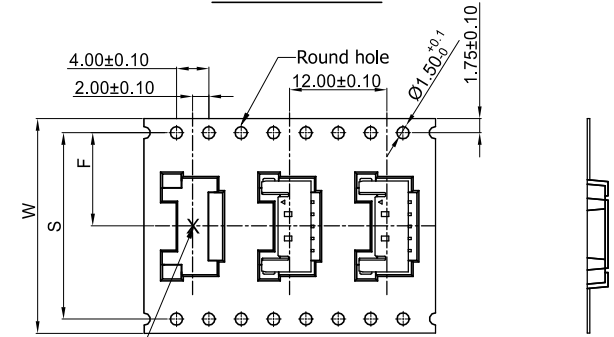
COVER TAPE PEEL STRENGTH:20~120g
 上带剥离力量: 20~120g
 速度 PEEL SPEED:300mm/minute



- Note:
- Carrier Camber Is Within 1mm In 250mm; 带长250mm内容许弯曲度1mm
 - 10 Sprocket Hole Pitch Cumulative Tolerance±0.2MM; 圆孔十个孔距距离累计允许公差为±0.2mm
 - Carrier tape material for PS; 下带材质为PS材质; Color颜色:Natural透明色, 无齿
 - bracer保护带: Color颜色:Natural透明色,厚度0.40mm最小
 - Thinkness=0.30±0.05; 材料厚度为0.30±0.05mm
 - Carton material纸箱材质:K=K; Carton Thickness纸箱厚度: 6~7mm



WIDTH=16~24mm



WIDTH=32

	Pin No.	W	S	F	T	G	Cover Tape(宽度) 上带(W)	Carrier Tape(Color) 下带(颜色)	REEL /PCS	CARTON /R	CARTON /PCS	
ZD1503WRS-XXHF 1503WRS-XX-XXXX 1503WRS-XXS-XXXX	ZD1503WRS-02HF	16	-	7.50	20.50	16.50	11.3	透明色	2000	11R	22000	
	ZD1503WRS-03HF	24	-	11.50	28.50	24.50	21.3	透明色	2000	8R	16000	
	ZD1503WRS-04HF											
	ZD1503WRS-05HF											
	ZD1503WRS-06HF	32	28.4	14.20	36.50	32.50	25.5	透明色	2000	6R	12000	
	ZD1503WRS-07HF											
	ZD1503WRS-08HF											
	ZD1503WRS-09HF	32	28.4	14.20	36.50	32.50	25.5	透明色	2000	6R	12000	
	ZD1503WRS-10HF											
	ZD1503WRS-11HF											
	ZD1503WRS-12HF											

GENERAL TOLERANCE	
.X	±0.30
.XX	±0.20
.XXX	±0.10

昆旺精密连接器有限公司
 VIGORCONN PRECISION CONNECTOR CO., LTD

PART NO. 1503WRS-XX-XXXX

TITLE. 1.50mm SMT 90° Package

PROJECT	

APPROVAL	CHECK	DRAWN	DATA
		Joshua	2017/10/30

UNIT	SCALE	NUMBER	REV
MM	1:1	A-106	A

DATE	OLD REV	NEW REV	ECN	DESCRIPTION	CHECK	APPROVAL