

TABLE:

60	24.00	11.50	25.4	8000
50				
40				
34				
30	16.00	7.50	17.4	
24				
10	A	B	C	QTY/REEL



								GENERAL TOLERANCE .X ±0.30 .XX ±0.20 .XXX ±0.10				昆旺精密连接器有限公司 VIGORCONN PRECISION CONNECTOR CO., LTD				PART NO CH001-XXX-X XF																															
								APPROVAL Kim. Huang				CHECK Jova				DRAWN Hekewei				DATA 2019/04/27				TITLE 0.4mm 1.5H BTB PLUG																							
DATE 1				OLD REV 2				NEW REV 3				ECN 4				DESCRIPTION 5				CHECK 6				APPROVAL 7				PROJECT 				UNIT MM				SCALE 1:1				NUMBER A-000				REV A			

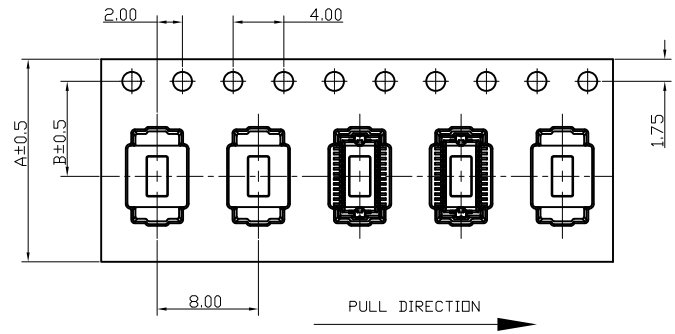
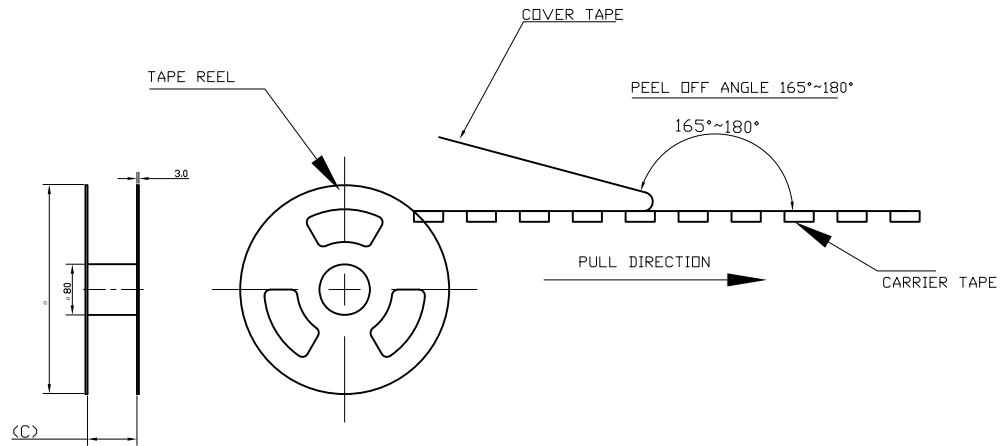


TABLE:

70	24.00	11.50	25.4	10000	
60					
50					
40					
34					
30	16.00	7.50	17.4		
26					
24					
10	A	B	C		QTY/REEL



								GENERAL TOLERANCE .X ±0.30 .XX ±0.20 .XXX ±0.10				昆旺精密连接器有限公司 VIGORCONN PRECISION CONNECTOR CO., LTD				PART NO CH001-XXX-XXM																															
								APPROVAL Kim. Huang				CHECK Jova				DRAWN Hekewei				DATA 2019/04/27				TITLE 0.4mm 1.5H BTB PLUG																							
DATE 1				OLD REV 2				NEW REV 3				ECN 4				DESCRIPTION 5				CHECK 6				APPROVAL 7				PROJECT 				UNIT MM				SCALE 1:1				NUMBER A-000				REV A			