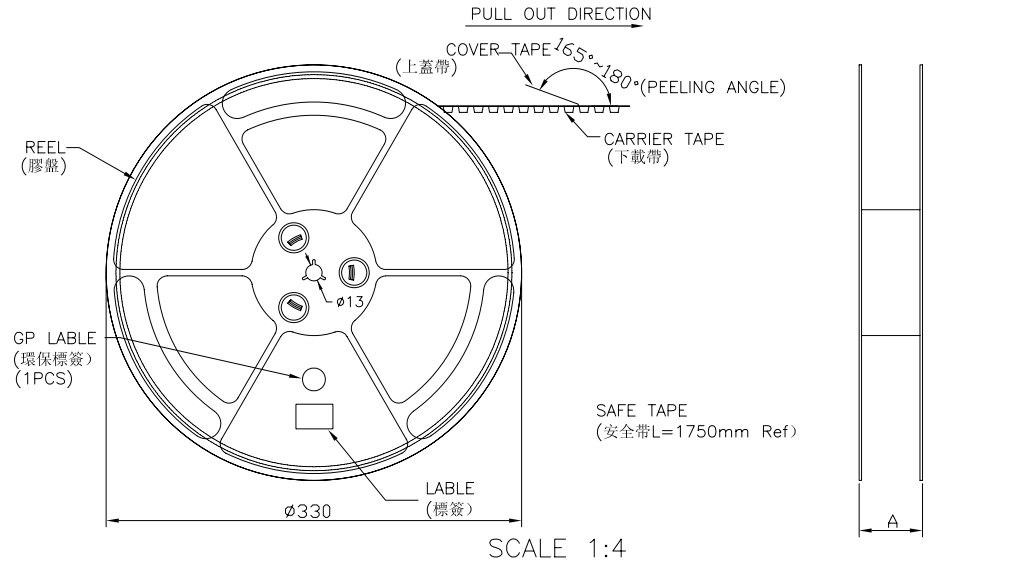
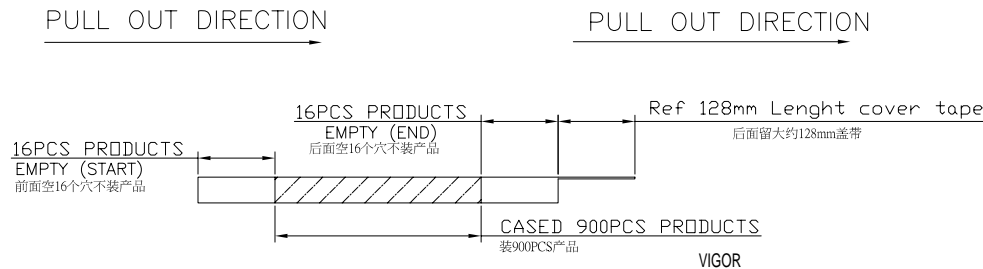
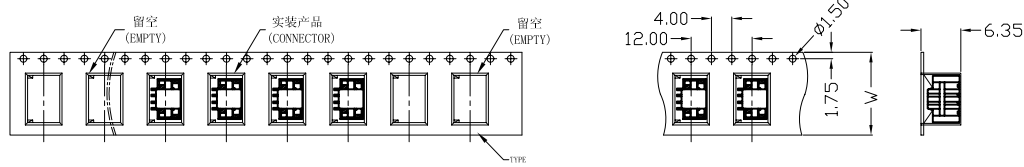
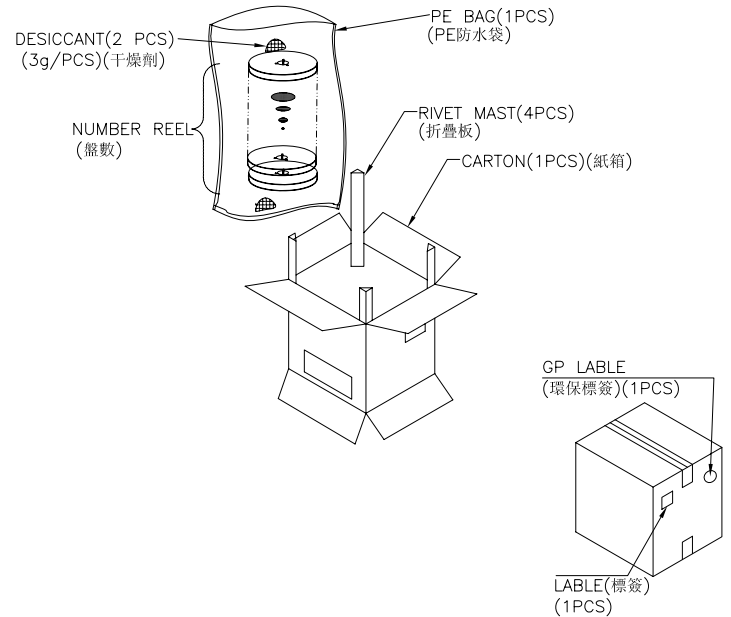


环保物料



NOTE:

- 1.10 Sprocket hole pitch cumulative tolerance ± 0.20 .
2. Carrier camber is within 1mm in 100mm.
3. Material: black conductive polystyrene alloy.
4. Material Thickness: 0.3 ± 0.05 mm.
5. All dimensions meet EIA-481-B requirements.
6. 900pcs Pef Reel.
7. For tape width(dim W)16 and 24mm pilot holes are provided on one sides. For tape width(dim W)32, 44 and 56mm pilot holes are provided on both sides.



PIN NO.	A	W	B	C	PCS /REEL	REEL/CARTON	SUM(PCS)
2 PIN~4 PIN	20.5	16	—	—	900	18	16200
5 PIN~9 PIN	28.5	24	—	—	900	13	11700

					一般公差 GENERAL TOLERANCE .X ± 0.3 .XX ± 0.2 .XXX ± 0.1		昆旺精密连接器有限公司 VIGORCONN PRECISION CONNECTOR CO., LTD		料号 PART NO 1511WVS-XX卷装包装图			
2011/09/08					A		B		修改图框格式			
日期 DATE					旧版次 OLD REV		新版次 NEW REV		变更内容 DESCRIPTION			
					审核 CHK		核准 APPD		角法 PROJECT			
									刘艳		2007/05/03	
									单位 UNIT		比例 SCALE	
									MM		1/1	
									图号 NUMBER		版次 REV	
									A-106-1		B	