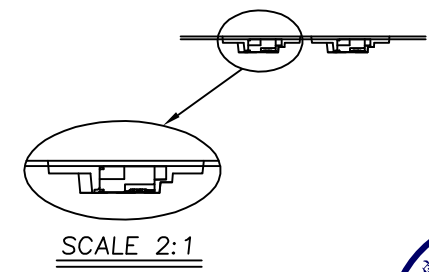
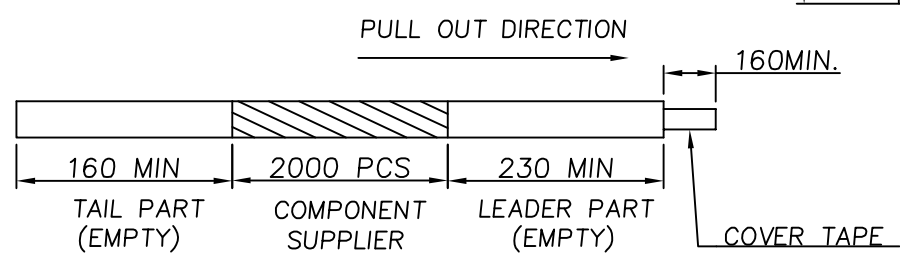
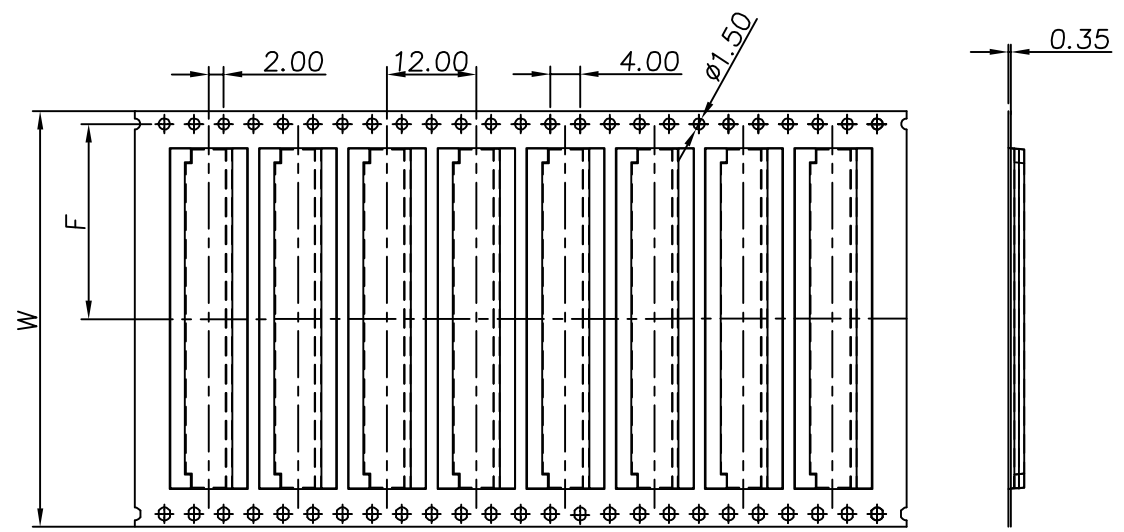
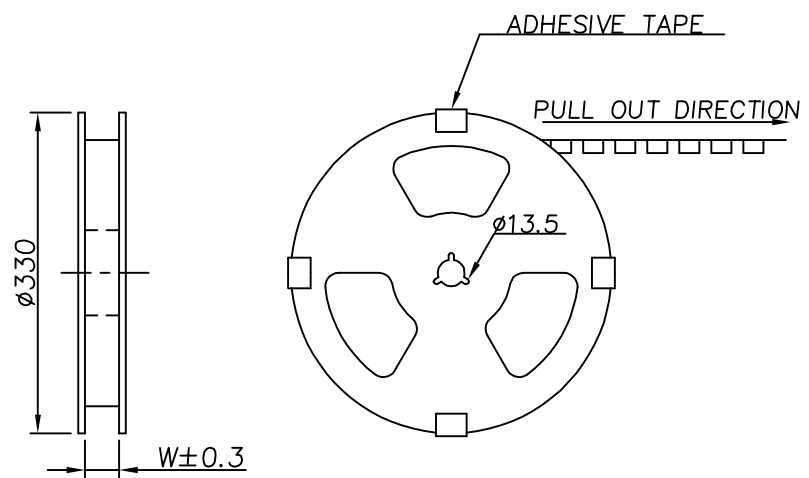


1 2 3 4 5 6 7 8

F
E
D
C
B
A

F
E
D
C
B
A



DATE	OLD REV	NEW REV	ECN	DESCRIPTION	CHECK	APPROVAL
1						
2						
3						
4						

GENERAL TOLERANCE	
.X	± 0.30
.XX	± 0.20
.XXX	± 0.10
PROJECT	

昆旺精密连接器有限公司 VIGORCONN PRECISION CONNECTOR CO., LTD			
APPROVAL	CHECK	DRAWN	DATA
Kim Huang	Jova Lau	Wuxiaotao	2018/11/12

PART NO. F122 XX -H1X X 0B			
TITLE 0.5P 1.8H FPC CONN.-CUST. DWG			
UNIT	SCALE	NUMBER	REV
MM	1 : 1	A-022	A

1 2 3 4 5 6 7 8