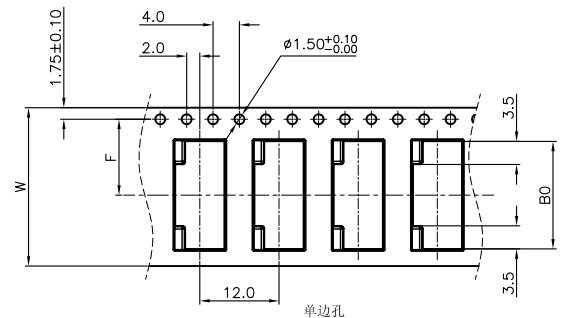
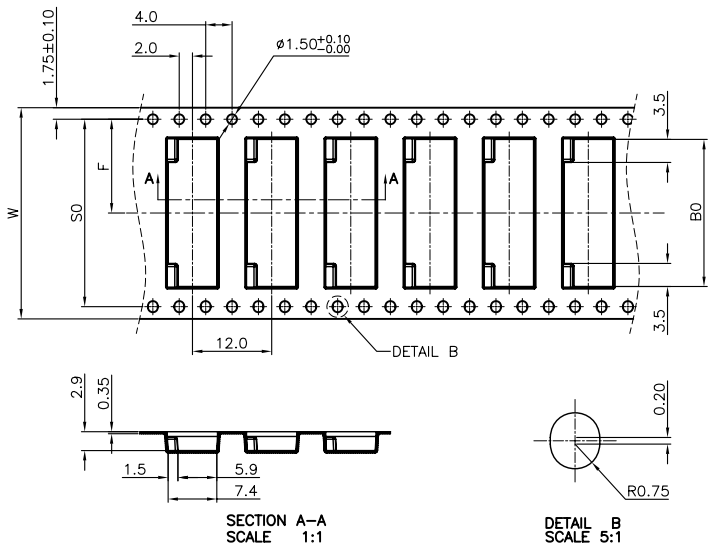
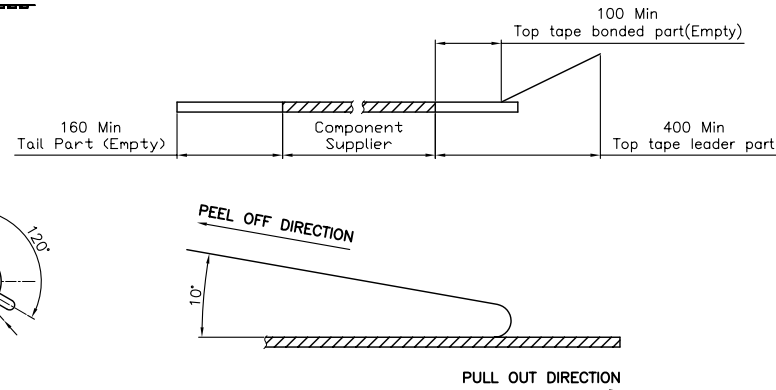


- NOTES:
1. 10 SPROCKET HOLE PITCH CUMULATIVE TOLERANCE.±0.20mm
 2. CARRIER CAMBER NOT TO EXCEED 1mm IN 250mm.
 3. ALL DIMENSIONS MEET EIA-481-C REQUIREMENTS.
 4. MATERIAL: BLACK ANTI-STATIC POLYSTYRENE.
 5. THICKNESS: 0.35 ± 0.05 mm.
 6. PACKING LENGTH PER 13" REEL : 18.60METERS.
 7. COMPONENT LOAD PER 13" REEL : 1500PCS
 8. PEELING OFF FORCE OF TOP TAPE 0.1N~0.7N(10.2gf~100gf).



							GENERAL TOLERANCE X ±0.30 .XX ±0.20 .XXX ±0.10		昆旺精密连接器有限公司 VIGORCONN PRECISION CONNECTOR CO.,LTD		PART NO. F10B2-XX-H LX X 0			
							PROJECT 				TITLE. FPC1.0 贴片无盖双面接 (带焊片)			
DATE	OLD REV	NEW REV	ECN	DESCRIPTION	CHECK	APPROVAL	APPROVAL	CHECK	DRAWN	DATA	UNIT	SCALE	NUMBER	REV
1			2			4			Yu wei	2014/04/20	MM	1 : 1	A-000	A