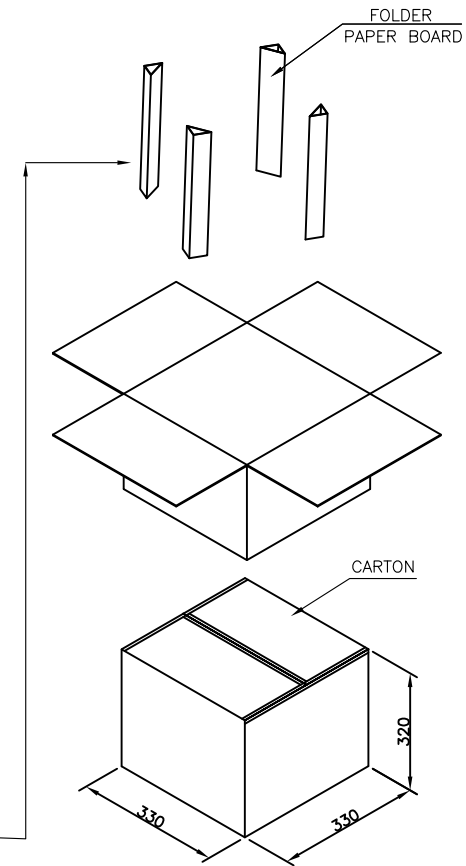
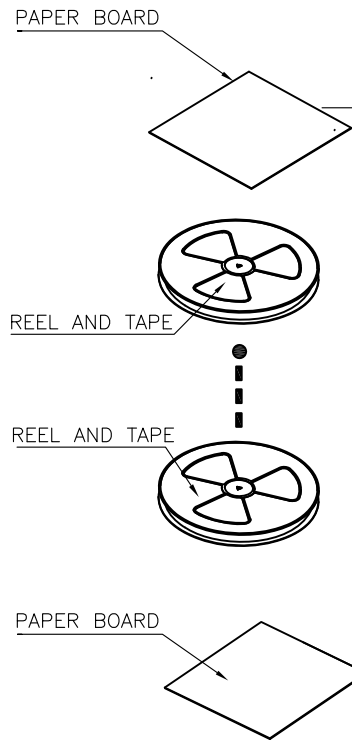
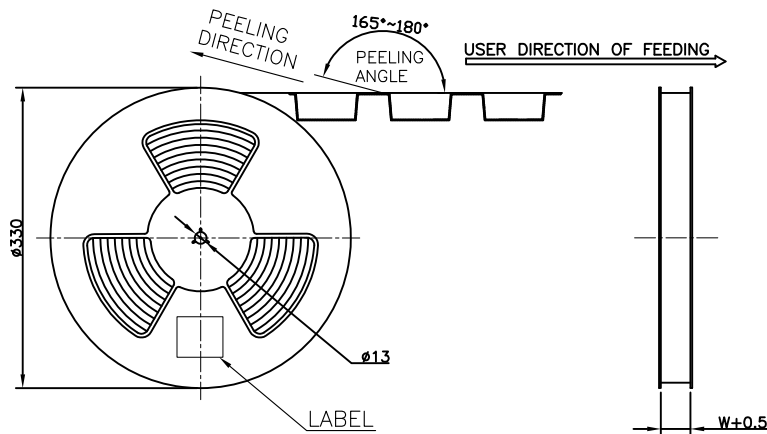


← PRODUCT PACKAGING DIRECTION  
 CUSTOMER TO USE DIRECTION →



CONN. QTY./REEL	REEL QTY./CARTON	CONN. QTY./CARTON
1000	10	10000 PCS

DATE	OLD REV	NEW REV	ECN	DESCRIPTION	CHECK	APPROVAL

GENERAL TOLERANCE	
.X	$\pm 0.30$
.XX	$\pm 0.20$
.XXX	$\pm 0.10$

 昆旺精密连接器有限公司  
 VIGORCONN PRECISION CONNECTOR CO., LTD

APPROVAL	CHECK	DRAWN	DATA
Kim. Huang	Jova	Hekewei	2019/2/26

PART NO.			
KWUB31B-16C2-LV3TA-32119			
TITLE			
Type.C 16PIN L=7.35MM CONN. RECPTACLE			
UNIT	SCALE	NUMBER	REV
MM	1:1	A-022	A

