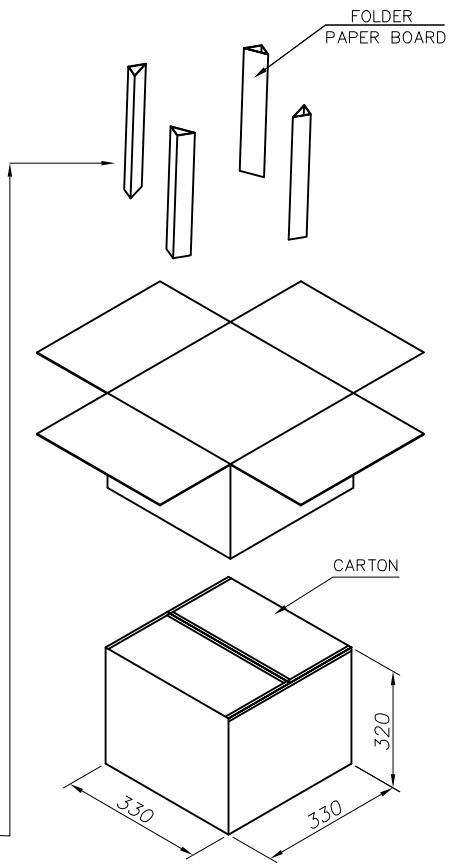
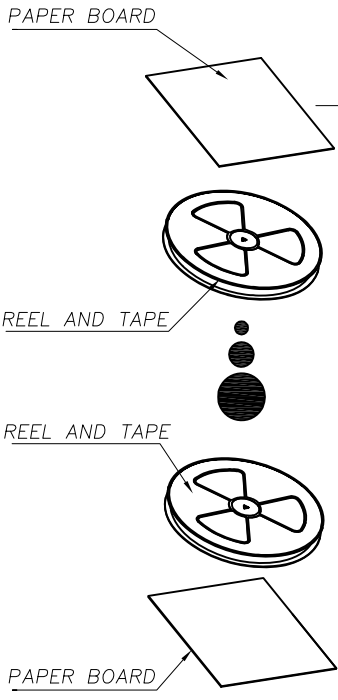
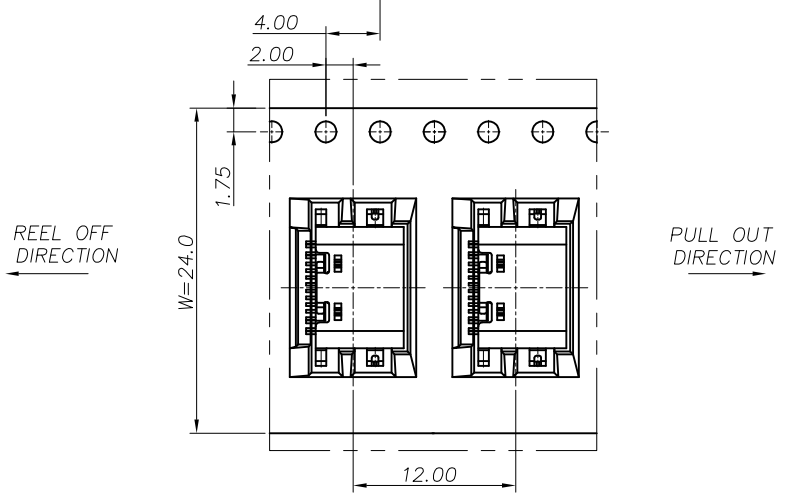
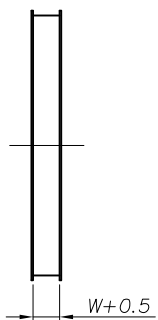
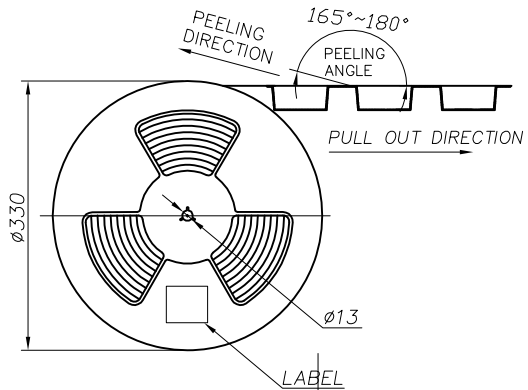


SEE DETAIL X



	REEL	CARTON
CONNECTOR (PCS)	1400	14000

DATE	OLD REV	NEW REV	ECN	DESCRIPTION	CHECK	APPROVAL	PROJECT		
1			2	3	4				

GENERAL TOLERANCE	
.X	$\pm 0.30$
.XX	$\pm 0.20$
.XXX	$\pm 0.10$

**昆旺精密连接器有限公司**  
 VIGORCONN PRECISION CONNECTOR CO., LTD

APPROVAL	CHECK	DRAWN	DATA
		Yu wei	2018/04/20

PART NO.			
KWUB31A-16C2-LV3TA-1A108			
TITLE			
Type-C16P单排母座(沉板0.8)			
UNIT	SCALE	NUMBER	REV
MM	1:1	A-022	A