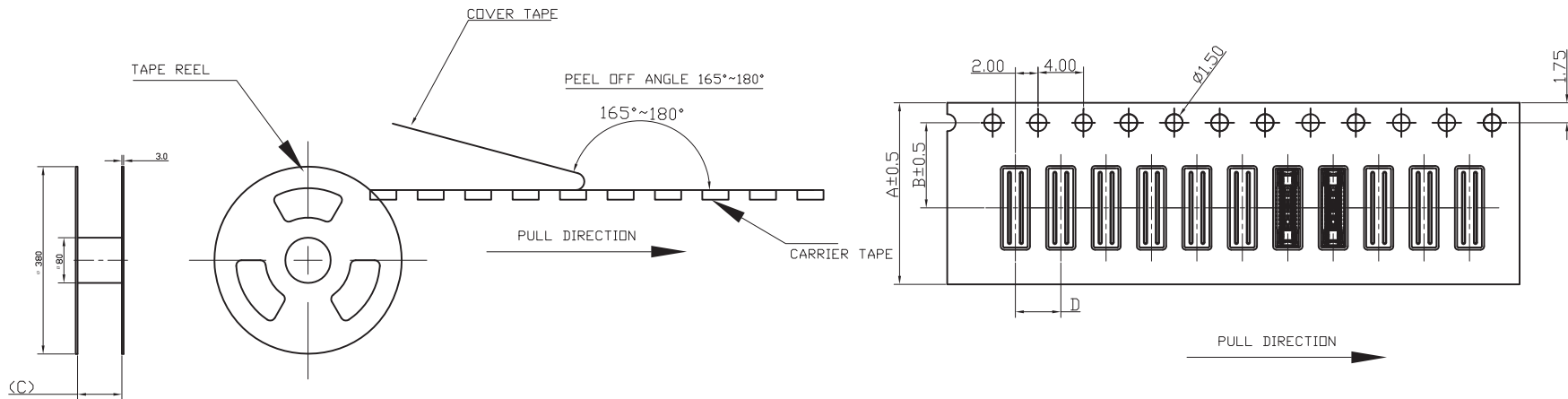


TABLE:

48	24.00	11.50	25.4	4.00	20000
40					
24	16.00	7.50	17.4	4.00	20000
22					
NUMBER OF CONTACTS	A	B	C	D	QTY/REEL



							GENERAL TOLERANCE .X ±0.30 .XX ±0.20 .XXX ±0.10		昆旺精密连接器有限公司 VIGORCONN PRECISION CONNECTOR CO., LTD				PART NO CH033-XXX-X XM							
							PROJECT 		APPROVAL Kim. Huang		CHECK Jova		DRAWN Hekewei		DATA 2019/04/27		TITLE. 0.35MM BTB (MATING HEIGHT 0.7H)			
DATE	OLD REV	NEW REV	ECN	DESCRIPTION	CHECK	APPROVAL			UNIT	SCALE	NUMBER	REV								
1									MM	1:1	A-000	A								



48	24.00	11.50	25.4	4.00	20000
40					
24	16.00	7.50	17.4	4.00	20000
22					
NUMBER OF CONTACTS	A	B	C	D	QTY/REEL



							GENERAL TOLERANCE .X ±0.30 .XX ±0.20 .XXX ±0.10		昆旺精密连接器有限公司 VIGORCONN PRECISION CONNECTOR CO., LTD				PART NO CH033-XXX-X X F			
							PROJECT 						TITLE. 0.35MM BTB (MATING HEIGHT 0.7H)			
DATE	OLD REV	NEW REV	ECN	DESCRIPTION	CHECK	APPROVAL	Kim. Huang	Jova	Hekewei	2019/04/27	UNIT MM	SCALE 1:1	NUMBER A-000	REV A		