

TABLE:

| | | | | | |
|--------------------|-------|-------|------|------|----------|
| 40 | 24.00 | 11.50 | 25.4 | 8.00 | 10000 |
| 34 | | | | | |
| 30 | 16.00 | 7.50 | 17.4 | 4.00 | 20000 |
| 24 | | | | 8.00 | 10000 |
| 10 | | | | | |
| NUMBER OF CONTACTS | A | B | C | D | QTY/REEL |



| | | | | | | | | | | | | | | | | |
|-------------|----------------|----------------|------------|--------------------|--------------|-----------------|---|--|--|--------------|---------------|------------|---|--|--|--|
| | | | | | | | GENERAL TOLERANCE .X ±0.30 .XX ±0.20 .XXX ±0.10 | | 昆旺精密连接器有限公司 VIGORCONN PRECISION CONNECTOR CO., LTD | | | | PART NO. CH028-XXX-X XF | | | |
| | | | | | | | | | APPROVAL Kim. Huang CHECK Jova DRAWN Hekewei DATA 2019/04/27 | | | | TITLE. 0.4MM BTB (MATING HEIGHT 0.9H) | | | |
| DATE | OLD REV | NEW REV | ECN | DESCRIPTION | CHECK | APPROVAL | PROJECT | | UNIT | SCALE | NUMBER | REV | | | | |
| | | | | | | | | | MM | 1:1 | A-000 | A | | | | |

1 2 3 4 5 6 7 8

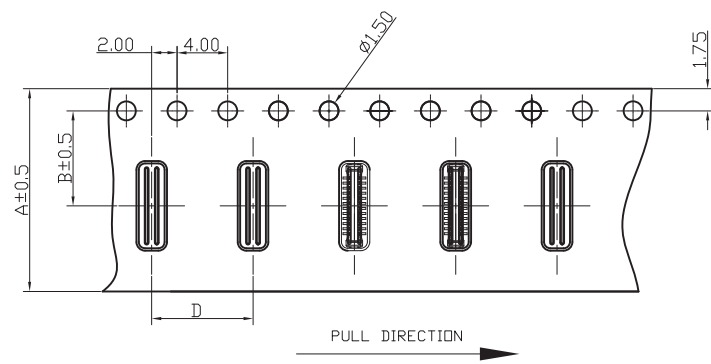
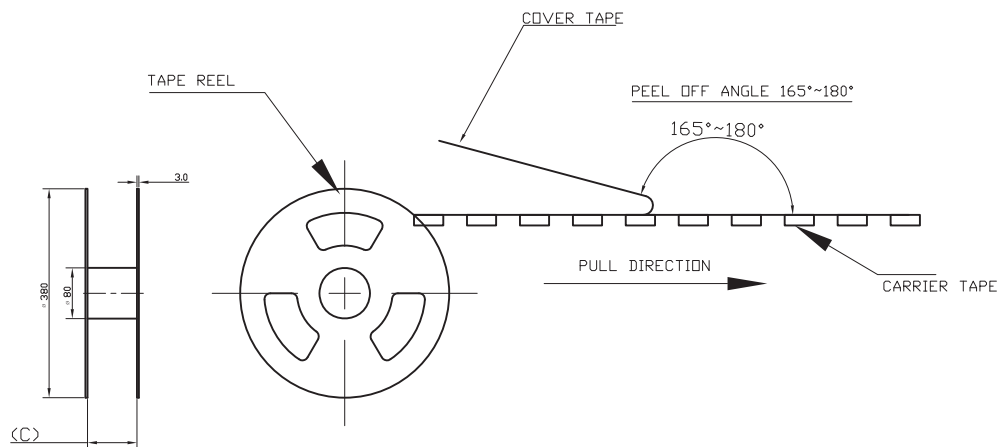


TABLE:

| | | | | | |
|--------------------|-------|-------|------|------|----------|
| 40 | 24.00 | 11.50 | 25.4 | 8.00 | 10000 |
| 30 | 16.00 | 7.50 | 17.4 | 4.00 | 20000 |
| 24 | | | | 8.00 | 10000 |
| 10 | | | | | |
| NUMBER OF CONTACTS | A | B | C | D | QTY/REEL |



| | | | | | | | | | | | | | | | | | | | |
|-------------|----------------|----------------|------------|--------------------|--------------|-----------------|----------------|---|--------------|---------------|------------|--|--|--|--|--------------------------------|--|--|--|
| | | | | | | | | GENERAL TOLERANCE .X ±0.30 .XX ±0.20 .XXX ±0.10 | | | | 昆旺精密连接器有限公司 VIGORCONN PRECISION CONNECTOR CO., LTD | | | | PART NO. CH028-XXX-X XM | | | |
| | | | | | | | | APPROVAL Kim. Huang CHECK Jova DRAWN Hekewei DATA 2019/04/27 | | | | TITLE. 0.4MM BTB (MATING HEIGHT 0.9H) | | | | | | | |
| DATE | OLD REV | NEW REV | ECN | DESCRIPTION | CHECK | APPROVAL | PROJECT | UNIT | SCALE | NUMBER | REV | | | | | | | | |
| 1 | | | 2 | | | | 5 | MM | 1:1 | A-000 | A | | | | | | | | |

1

2

3

4

5

6

7

8