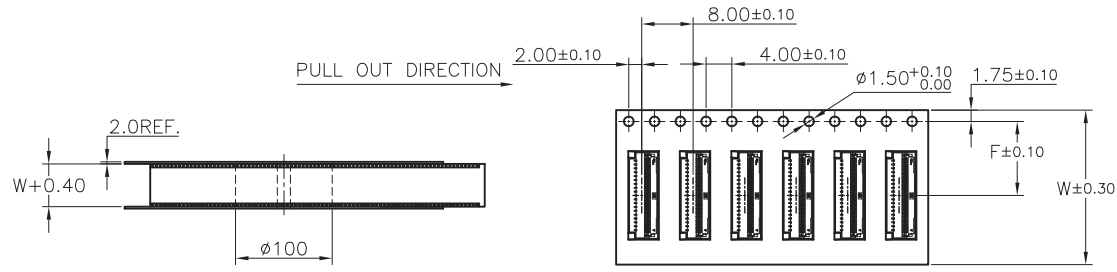


1 2 3 4 5 6 7 8

F

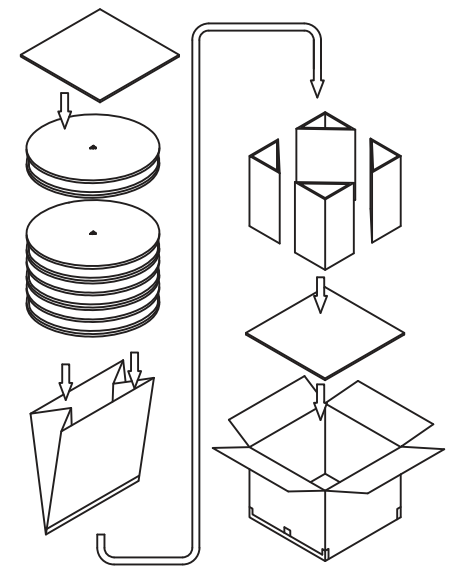
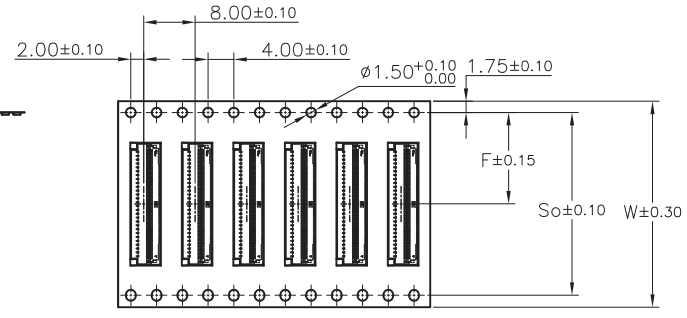
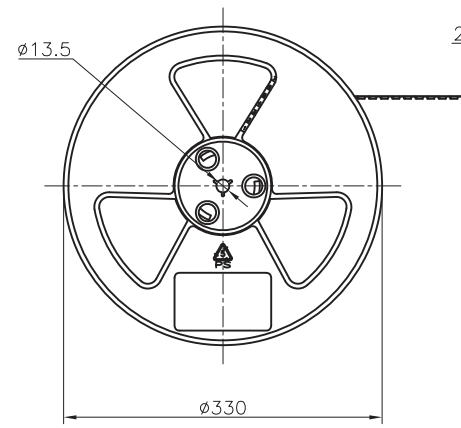
F



- NOTES:
 1. ALL DIMENSION MEET EIA-481-3 REQUIREMENTS;
 2. CARRIER MATERIAL: PS, BLACK;
 3. PACKING QULITY: 5000PCS/REEL;

E

E



D

D

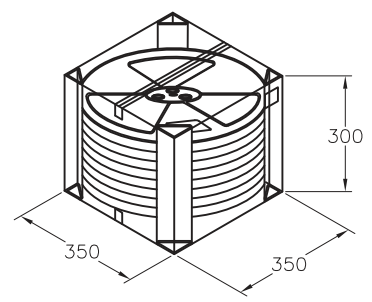
SCALE 3:20

C

C

PACKING DISCRIPTION:

PIN No.	13~23	25~47	49~61	63~71				
REEL WIDTH	16.4	24.4	32.4	44.4	PIN NO.	DIM W	DIM F	DIM So
PCS/REEL	5000	5000	5000	5000	13~25	24.0	11.50±0.10	--
REEL/BOX	12	9	7	6	27~49	32.0	14.20±0.10	28.4
BOX/PCS	60K	45K	35K	30K	51~61	44.0	20.20±0.15	40.4
CTN. SIZE	350*350*300				63~71	56.0	26.2±0.15	52.4



A

A

GENERAL TOLERANCE
 .X ±0.30
 .XX ±0.20
 .XXX ±0.10

昆旺精密连接器有限公司
 VIGORCONN PRECISION CONNECTOR CO., LTD

PART NO. F0310BH-0xxG1AM

TITLE. 0.3P 1.0H FPC W/COVER
 EASY-ON R/A SMT TYPE.

DATE	OLD REV	NEW REV	ECN	DESCRIPTION	CHECK	APPROVAL
------	---------	---------	-----	-------------	-------	----------

PROJECT

APPROVAL	CHECK	DRAWN	DATA
Kim Huang	Jova Lau	Wuxiaotao	2016/06/06

UNIT	SCALE	NUMBER	REV
MM	1:1	A-000	A

1 2 3 4 5 6 7 8