

1 2 3 4 5 6 7 8

F

E

D

C

B

A

F

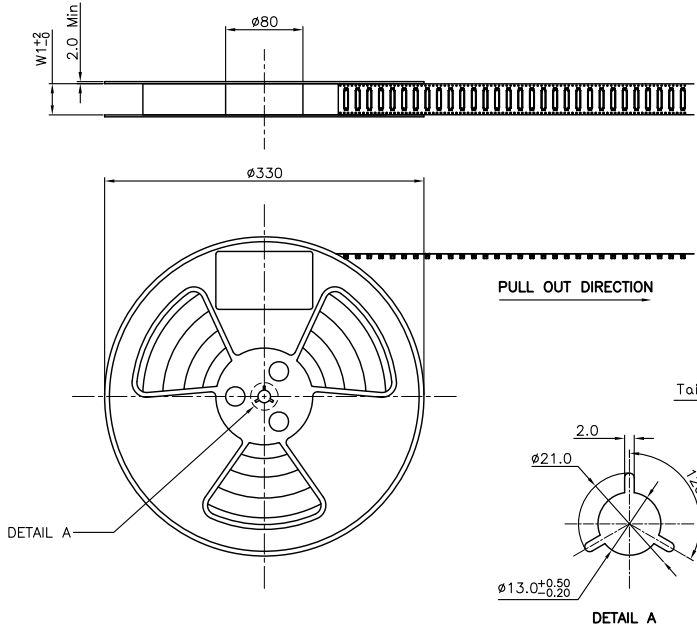
E

D

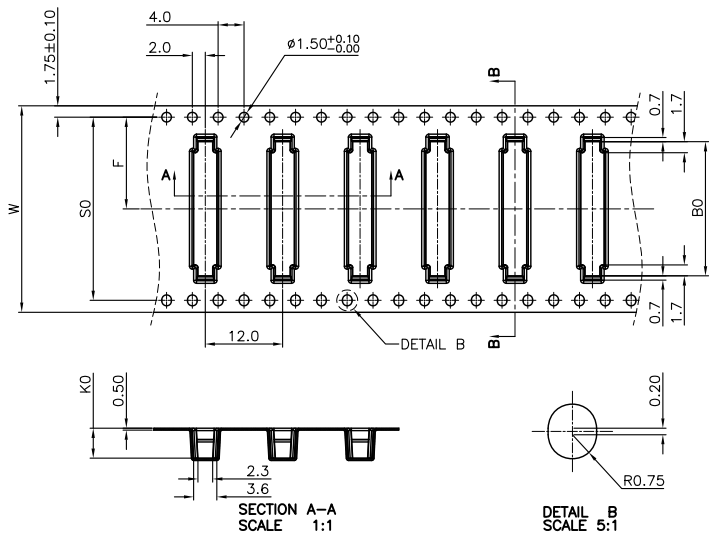
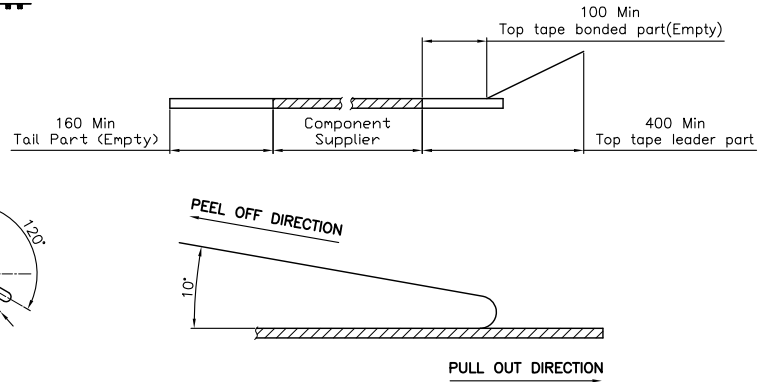
C

B

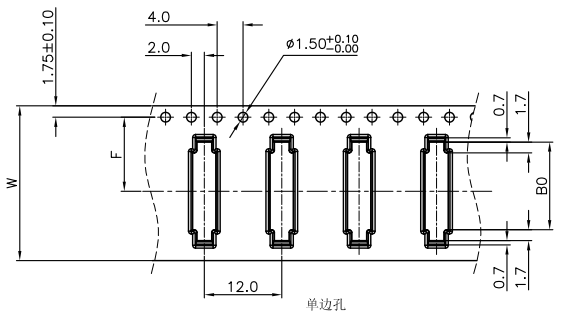
A



- NOTES:
1. 10 SPROCKET HOLE PITCH CUMULATIVE TOLERANCE.±0.20mm
 2. CARRIER CAMBER NOT TO EXCEED 1mm IN 250mm.
 3. ALL DIMENSIONS MEET EIA-481-C REQUIREMENTS.
 4. MATERIAL: BLACK ANTI-STATIC POLYSTYRENE.
 5. THICKNESS: 0.50 ± 0.05 mm.
 6. PACKING LENGTH PER 13" REEL:12.60METERS.
 7. COMPONENT LOAD PER 13" REEL:1000PCS
 8. PEELING OFF FORCE OF TOP TAPE 0.1N~0.7N(10.2gf~100gf).



SECTION B-B SCALE 1:1



CKTS	B0±0.10	K0±0.10	W	W1	F	S0±0.10
4	6.80					
5	7.30					
6	7.80		16+0.3/-0	16.4	7.5±0.10	
7	8.30					
8	8.80					
9	9.30					
10	9.80					
11	10.30					
12	10.80					
13	11.30					
14	11.80					
15	12.30					
16	12.80					
17	13.30					
18	13.80					
19	14.30					
20	14.80	4.70				
21	15.30					
22	15.80					
23	16.30					
24	16.80					
25	17.30					
26	17.80					
27	18.30					
28	18.80		24+0.3/-0	24.4	11.5±0.10	
29	19.30					
30	19.80					
31	20.30					
32	20.80					
33	21.30					
34	21.80					
35	22.30					
36	22.80					
37	23.30					
38	23.80					
39	24.30					
40	24.80					
41	25.30					
42	25.80					
43	26.30					
44	26.80					
45	27.30					
46	27.80					
47	28.30					
48	28.80					
49	29.30					
50	29.80					
51	30.30					
52	30.80					
53	31.30					
54	31.80					
55	32.30					
56	32.80					
57	33.30					
58	33.80					
59	34.30					
60	34.80					
			44±0.30	44.4	20.2±0.15	40.4
			56±0.30	56.4	26.2±0.15	52.4

DATE	OLD REV	NEW REV	ECN	DESCRIPTION	CHECK	APPROVAL	PROJECT
1							
2							
3							
4							

GENERAL TOLERANCE
 .X ±0.30
 .XX ±0.20
 .XXX ±0.10

APPROVAL CHECK DRAWN DATA

PROJECT Yu wei 2012-09-09

PART NO. F50K9XX-HBXXUG

TITLE. 0.5mm FPC 上接

UNIT	SCALE	NUMBER	REV
MM	1:1	A-000	A

1 2 3 4 5 6 7 8