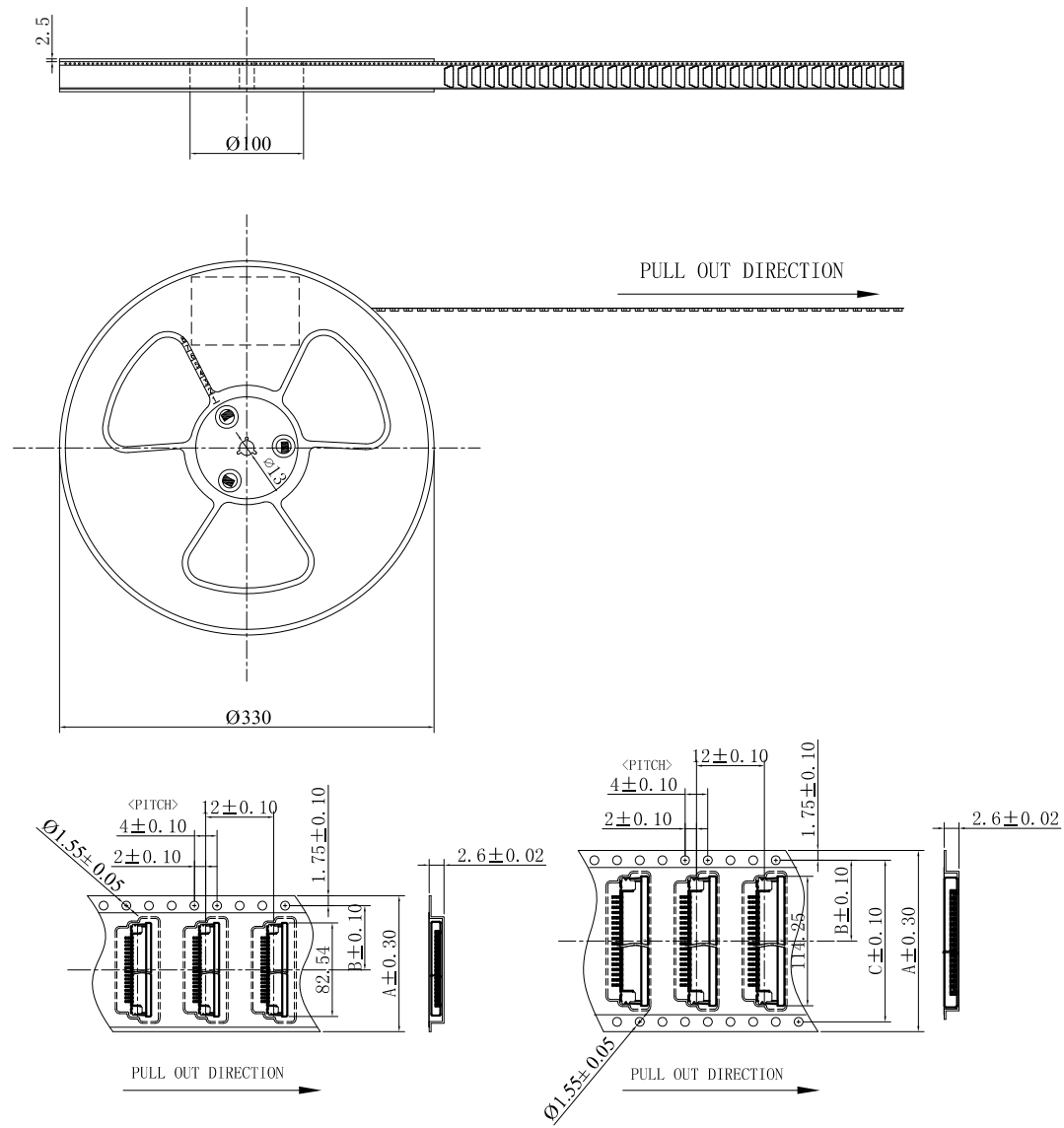


1 2 3 4 5 6 7 8

F
E
D
C
B
A

F
E
D
C
B
A



接触点数量 No. of Contacts	部品名称 Part Number	尺寸:A DIM :A	尺寸:B DIM :B	尺寸:C DIM :C
4	1.0K-ES (FX)-4PWB	24	10.2	20.4
9	1.0K-ES (FX)-9PWB			
10	1.0K-ES (FX)-10PWB	32	14.2	28.4
13	1.0K-ES (FX)-13PWB			
14	1.0K-ES (FX)-14PWB	44	20.2	40.4
26	1.0K-ES (FX)-26PWB			
27	1.0K-ES (FX)-27PWB	56	26.2	52.4
35	1.0K-ES (FX)-35PWB			

- 备注:
- 10个定位孔之间的累计公差为: ±0.20mm;
(10 sprocket hole pitch cumulative tolerance: ±0.20mm;)
 - Corner camber is within 1 mm in 100mm;
 - 材质: 蓝色100%可回收合成聚苯乙烯;
(Motenal: Blue Conductive Polystyrene Alloy 100% recyclable;)
 - 所有尺寸标注适合"ELA-481-3"要求;
(All dimensions meet ELA-481-3 requirements;)
 - 材料厚度: 0.3±0.05mm;
(Material Thickness: 0.3±0.05mm;)
 - 如果在卷带宽度(尺寸"A"处)为24mm的情况下, 则卷带为单边带定位孔;
(For tape width (dimension A) 24mm a pilot hole is provided on one side;)
如果在卷带宽度(尺寸"A"处)为32mm和44mm的情况下, 则卷带为两边带定位孔。
(For tape width (dimension A) 32mm and 44mm pilot holes are provided on both sides.)
 - 每卷装1500PCS.



							GENERAL TOLERANCE X ±0.30 XX ±0.20 XXX ±0.10	昆旺精密连接器有限公司 VIGORCONN PRECISION CONNECTOR CO., LTD				PART NO. F10K12-XX-H2XXH			
												TITLE. PITCH 1.0mm SERIES TAPE PACKING			
DATE	OLD REV	NEW REV	ECN	DESCRIPTION	CHECK	APPROVAL	PROJECT	APPROVAL	CHECK	DRAWN	DATA	UNIT	SCALE	NUMBER	REV
1			2				Kim Huang	Jova Lau	Wuxiaotao	2015/06/06	MM	1:1	A-000	A	

1 2 3 4 5 6 7 8