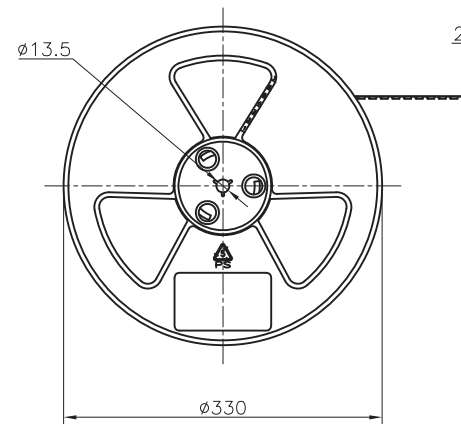
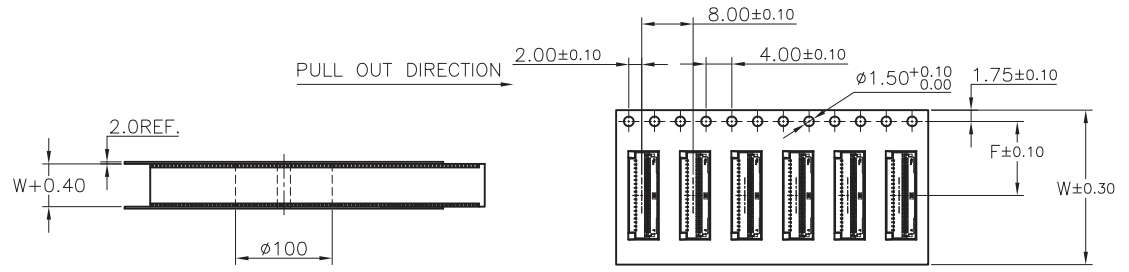


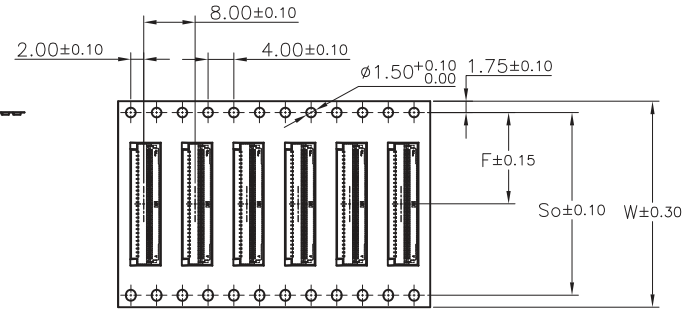
1 2 3 4 5 6 7 8

F
E
D
C
B
A

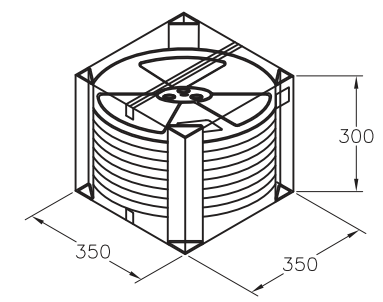
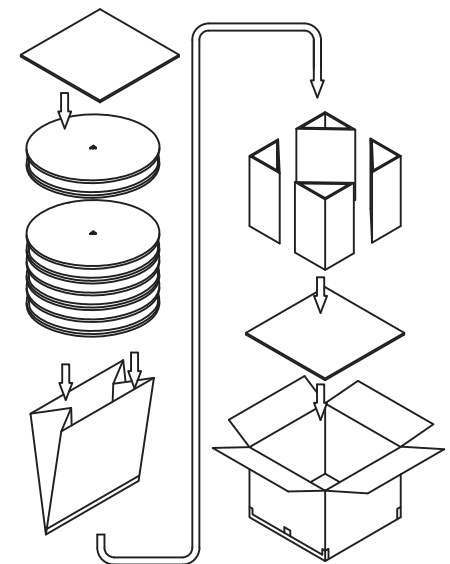
F
E
D
C
B
A



SCALE 3:20



- NOTES:
 1. ALL DIMENSION MEET EIA-481-3 REQUIREMENTS;
 2. CARRIER MATERIAL: PS, BLACK;
 3. PACKING QULITY: 5000PCS/REEL;



PACKING DISCRIPTION:

PIN No.	13~23	25~47	49~61	63~71				
REEL WIDTH	16.4	24.4	32.4	44.4	PIN NO.	DIM W	DIM F	DIM So
PCS/REEL	5000	5000	5000	5000	13~25	24.0	11.50±0.10	--
REEL/BOX	12	9	7	6	27~49	32.0	14.20±0.10	28.4
BOX/PCS	60K	45K	35K	30K	51~61	44.0	20.20±0.15	40.4
CTN. SIZE	350*350*300				63~71	56.0	26.2±0.15	52.4



GENERAL TOLERANCE
 .X ±0.30
 .XX ±0.20
 .XXX ±0.10

昆旺精密连接器有限公司
 VIGORCONN PRECISION CONNECTOR CO., LTD

PART NO. F0309DH-0XXG1AM

TITLE. 0.3mm PITCH ZIF BACK-FLIP FPC CONN SMT R/A D/C

DATE	OLD REV	NEW REV	ECN	DESCRIPTION	CHECK	APPROVAL	PROJECT	APPROVAL	CHECK	DRAWN	DATA
							Kim Huang	Jova Lau	Wuxiaotao	2016/06/06	

UNIT	SCALE	NUMBER	REV
MM	1:1	A-000	A

1 2 3 4 5 6 7 8