

TABLE:

60	24.00	11.50	25.4	5000
40				
30	16.00	7.50	17.4	
24				
NUMBER OF CONTACTS	A	B	C	



								GENERAL TOLERANCE .X ±0.30 .XX ±0.20 .XXX ±0.10				昆旺精密连接器有限公司 VIGORCONN PRECISION CONNECTOR CO., LTD				PART NO. CH005-XXX-X XF			
								APPROVAL Kim. Huang CHECK Jova DRAWN Hekewei DATA 2019/04/27				TITLE. 0.4mm 0.9H BTB PLUG CONN.							
DATE	OLD REV	NEW REV	ECN	DESCRIPTION	CHECK	APPROVAL	PROJECT	UNIT	SCALE	NUMBER	REV								
							⊕	MM	1:1	A-000	A								

1 2 3 4 5 6 7 8

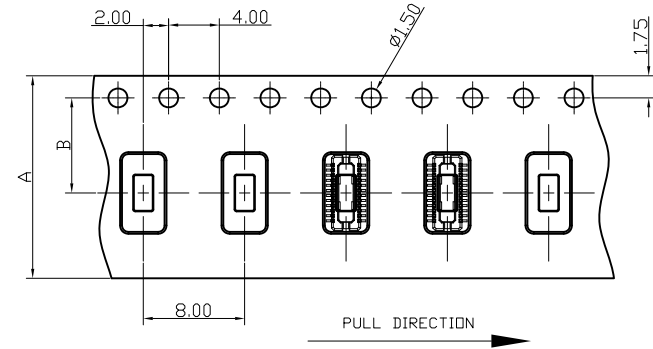
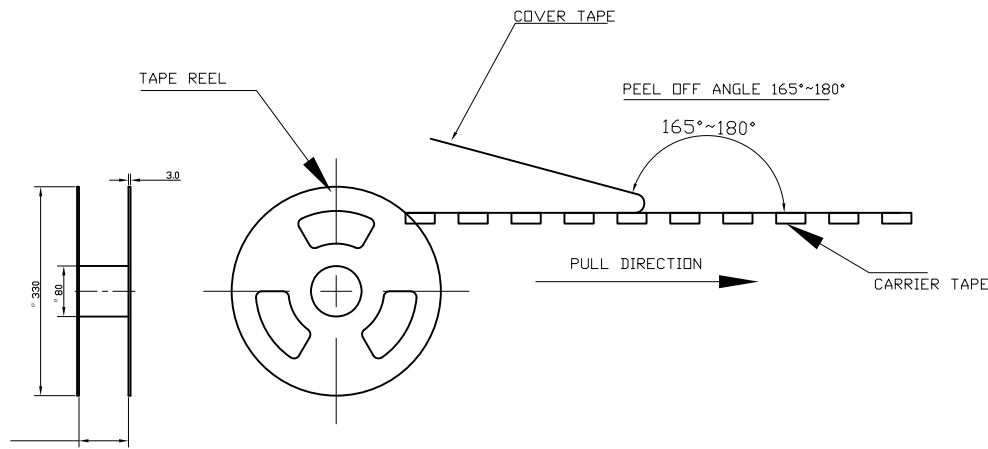


TABLE:

60	24.00	11.50	25.4	5000
50				
40				
30	16.00	7.50	17.4	
24				
10				
NUMBER OF CONTACTS	A	B	C	QTY/REEL



								GENERAL TOLERANCE .X ±0.30 .XX ±0.20 .XXX ±0.10				昆旺精密连接器有限公司 VIGORCONN PRECISION CONNECTOR CO., LTD				PART NO. CH005-XXX-X XM															
								APPROVAL Kim. Huang				CHECK Jova				DRAWN Hekewei				DATA 2019/04/27				TITLE. 0.4mm 0.9H BTB PLUG CONN.							
PROJECT 																UNIT MM				SCALE 1:1				NUMBER A-000				REV A			
DATE 1				OLD REV 2				NEW REV 3				ECN 4				DESCRIPTION 5				CHECK 6				APPROVAL 7				UNIT 8			