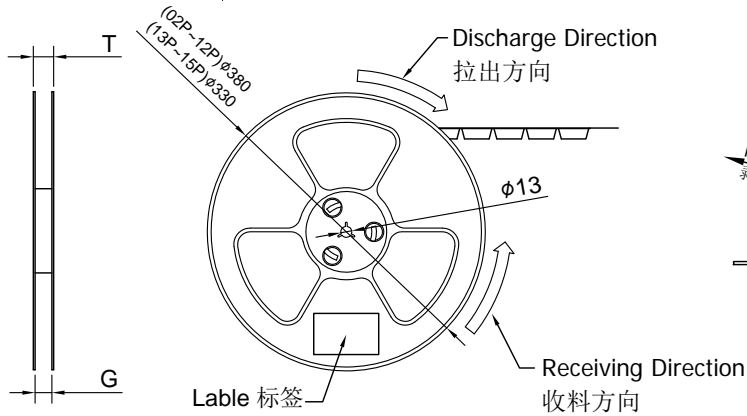
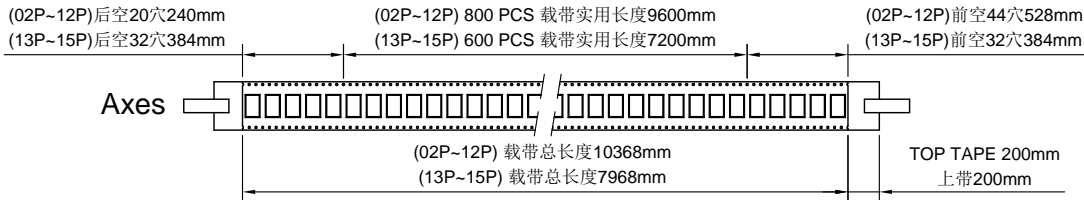
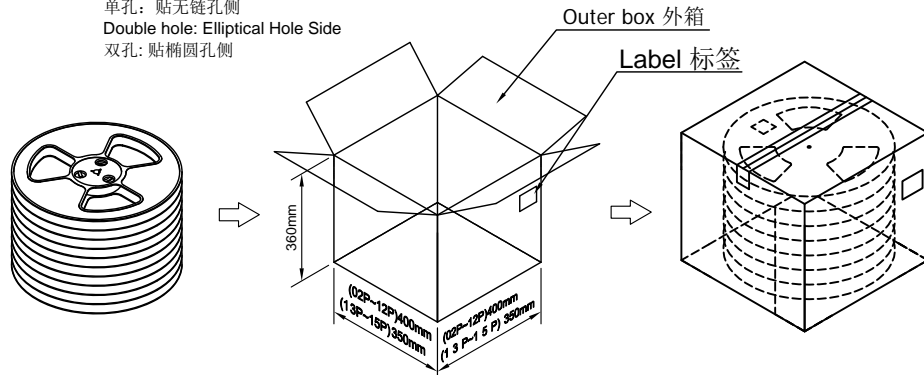
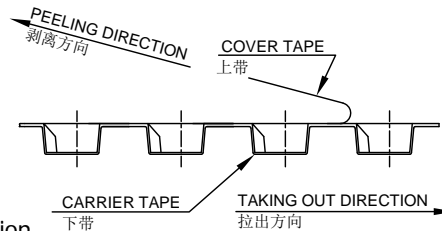


RoHS

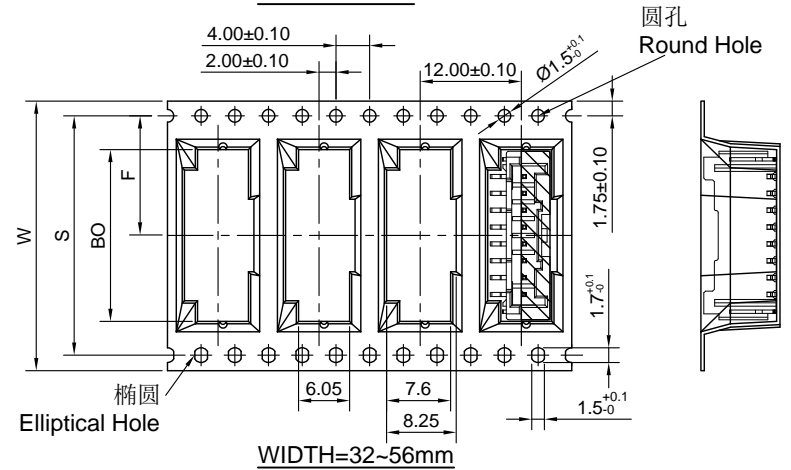
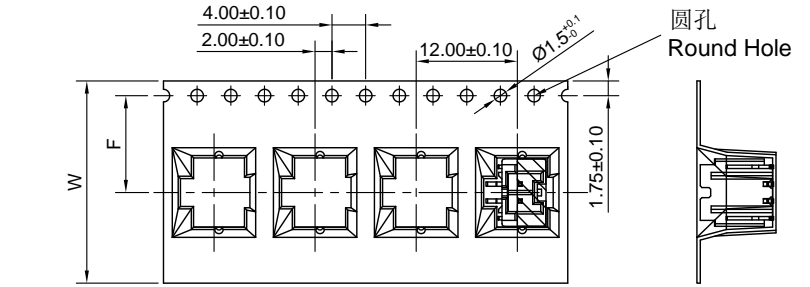


COVER TAPE PEEL STRENGTH:30~80g
上带剥离力量: 30~80g

速度 PEEL SPEED:300mm/minute



- Note:
- Carrier Camber Is Within 1mm In 100mm; 带长100mm内容许弯曲度1mm
 - 10 Sprocket Hole Pitch Cumulative Tolerance±0.2MM; 圆孔十个孔距离累计允许公差为±0.2mm
 - Material for PS; 材质为PS材质; Color颜色: Natural透明色
 - bracer保护带: Color颜色: Natural透明色; 厚度0.40mm最小
 - Thickness=0.50±0.05; 材料厚度为0.50±0.05mm
 - Carton material纸箱材质: K=K; Carton Thickness纸箱厚度: 6±1mm



Carrier Tape No. 载带料号	B0	W	S	F	T	G	REEL /PCS	CARTON /R	CARTON /PCS
ZD2000WVS-02HF	8.3	24	/	11.50	28.5	24.5	800	12	9600
ZD2000WVS-03HF	10.3								
ZD2000WVS-04HF	12.3								
ZD2000WVS-05HF	14.3	32	28.4	14.20	36.5	32.5	800	9	7200
ZD2000WVS-06HF	16.3								
ZD2000WVS-07HF	18.3								
ZD2000WVS-08HF	20.3								
ZD2000WVS-09HF	22.3								
ZD2000WVS-10HF	24.3								
ZD2000WVS-11HF	26.3	44	40.4	20.2	48.5	44.5	800	7	5600
ZD2000WVS-12HF	28.3								
ZD2000WVS-13HF	30.3								
ZD2000WVS-14HF	32.3								
ZD2000WVS-15HF	34.3	56	52.4	26.2	60.5	56.5	600	5	3000
ZD2000WVS-15HF	34.3								

GENERAL TOLERANCE
.X ±0.30
.XX ±0.20
.XXX ±0.10

昆旺精密连接器有限公司
VIGORCONN PRECISION CONNECTOR CO., LTD

PART NO. PPN: 2000WVS-XX-XXXXXX-X
CTN: ZD2000WVS-XXHF

TITLE 2.00mm Connectors 180° Packing

PROJECT

APPROVAL Smark CHECK Guo DRAWN Alan qin DATA 2018/06/07

UNIT mm SCALE 1:1 NUMBER A-000 REV A

DATE OLD REV NEW REV ECN DESCRIPTION CHECK APPROVAL