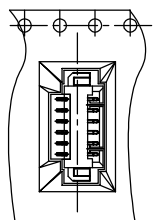
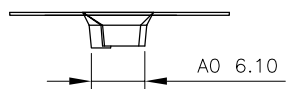
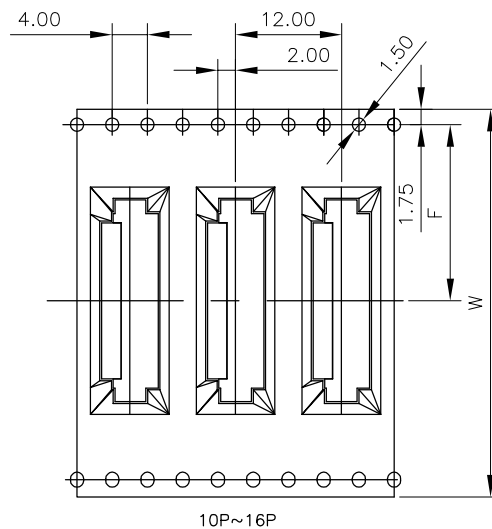
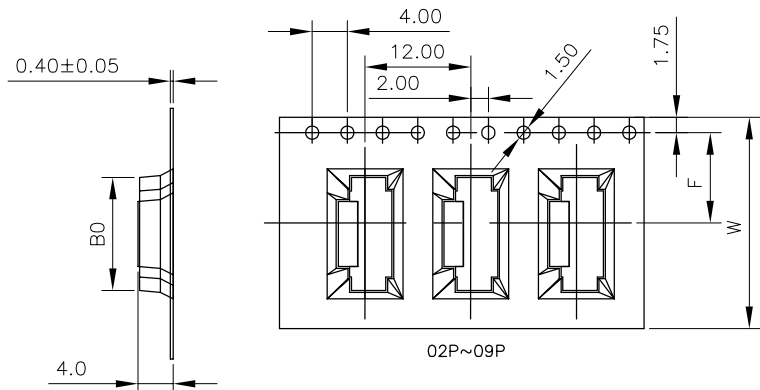


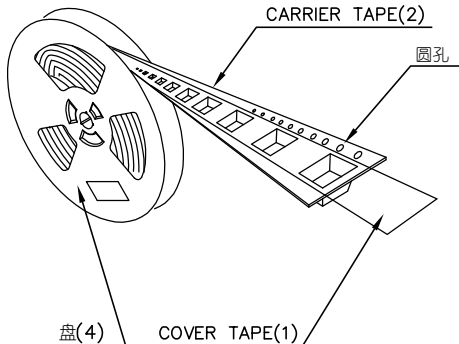
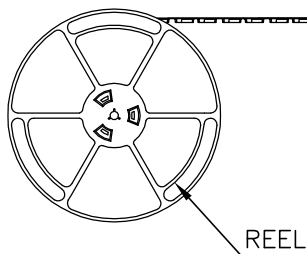
RoHS  Lead-free



包装示意图

- NOTES:
 1.ALL DIMENSIONS MEET EIA-481-D REQUIREMENTS.
 2.MATERIAL: WHITE PET
 3.CARRIER CAMER NOT TO EXCEED 1mm IN 250mm.
 4.AO AND B0 MEASURED ON A PLANE 0.3mm ABOVE THE BOTTOM OF THE POCKET.
 5.K0 MEASURED FROM A PLANE ON THE INSIDE BOTTOM OF THE POCKET TO THE TOP SURFACE OF THE CARRIER.
 6.Q'ty/Reel:1000PCS. (LENGTH:12.5m) 130 模
 7.THICKNESS:0.4 0.05mm.
 8.REEL:13" 胶盘

封装时收料方向



PART NO	DIMENSIONS			Q'ty/BOX
	W±0.3	B0±0.3	F±0.3	
9821WR-S-02P	16.0	7.60	7.50	19*1000
9821WR-S-03P	24.0	8.85	11.50	14*1000
9821WR-S-04P	24.0	10.10	11.50	14*1000
9821WR-S-05P	24.0	11.35	11.50	14*1000
9821WR-S-06P	24.0	12.60	11.50	14*1000
9821WR-S-07P	24.0	13.85	11.50	14*1000
9821WR-S-08P	24.0	15.10	11.50	14*1000
9821WR-S-09P	24.0	16.35	14.20	14*1000
9821WR-S-10P	32.0	17.60	14.20	11*1000
9821WR-S-11P	32.0	18.85	14.20	11*1000
9821WR-S-12P	32.0	20.10	14.20	11*1000
9821WR-S-13P	44.0	21.35	20.20	11*1000
9821WR-S-14P	44.0	22.60	20.20	11*1000
9821WR-S-15P	44.0	23.85	20.20	8*1000
9821WR-S-16P	44.0	25.10	20.20	8*1000

DATE	OLD REV	NEW REV	ECN	DESCRIPTION	CHECK	APPROVAL

GENERAL TOLERANCE
 .X ±0.30
 .XX ±0.20
 .XXX ±0.10



 昆旺精密连接器有限公司
 VIGORCONN PRECISION CONNECTOR CO., LTD

APPROVAL	CHECK	DRAWN	DATA
Bob Sun	Jova Lau	Wuxiaotao	2014/05/21

PART NO.		9821WRS-XXA-LPSN	
TITLE			
1.25mm Crimp Style Connectors			
UNIT	SCALE	NUMBER	REV
MM	1:1	A-084	C