

TABLE:

60	24.00	11.50	25.4	8000
50				
40				
34				
30	16.00	7.50	17.4	
24				
10				
NUMBER OF CONTACTS	A	B	C	



				GENERAL TOLERANCE				PART NO CH002-0XX-02X							
				.X ±0.30				TITLE .							
				.XX ±0.20				0.4mm 0.9H BTB PLUG CONN.							
				.XXX ±0.10				UNIT SCALE NUMBER REV							
DATE	OLD REV	NEW REV	ECN	DESCRIPTION	CHECK	APPROVAL	PROJECT	APPROVAL	CHECK	DRAWN	DATA	MM	1:1	A-000	A
							⊕ ⊞	Kim. Huang	Jova	Hekewei	2019/04/27				

昆旺精密连接器有限公司
VIGORCONN PRECISION CONNECTOR CO., LTD

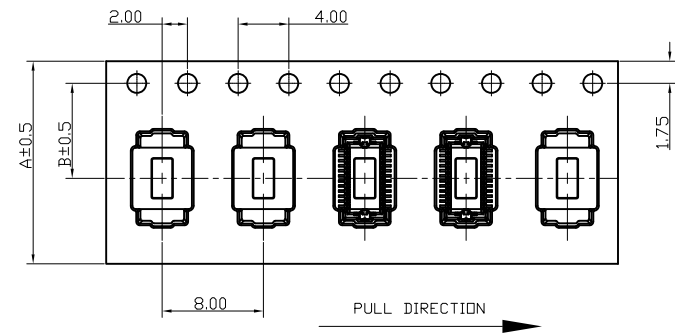
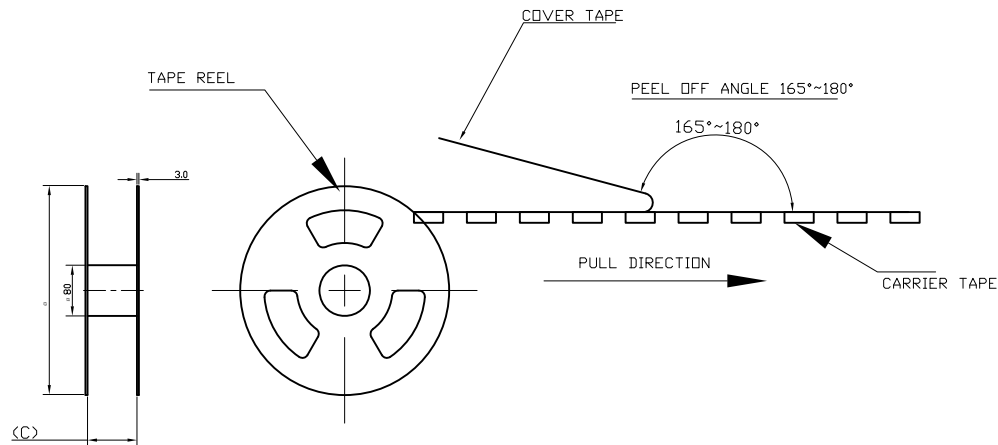


TABLE:

70	24.00	11.50	25.4	10000
60				
50				
40				
34				
30	16.00	7.50	17.4	
26				
24				
10				
NUMBER OF CONTACTS	A	B	C	



								GENERAL TOLERANCE .X ±0.30 .XX ±0.20 .XXX ±0.10				昆旺精密连接器有限公司 VIGORCONN PRECISION CONNECTOR CO., LTD				PART NO CH002-0XX-02X TITLE 0.4mm 0.9H BTB PLUG CONN.			
								APPROVAL Kim. Huang CHECK Jova DRAWN Hekewei DATA 2019/04/27				UNIT MM SCALE 1:1 NUMBER A-000 REV A							
DATE	OLD REV	NEW REV	ECN	DESCRIPTION	CHECK	APPROVAL	PROJECT	APPROVAL	CHECK	DRAWN	DATA	UNIT	SCALE	NUMBER	REV				
1			2					4		6	7	MM	1:1	A-000	A				