

TABLE:

40	24.00	11.50	25.4	8000
30	16.00	7.50	17.4	
24				
10				
NUMBER OF CONTACTS	A	B	C	QTY/REEL



							<b>GENERAL TOLERANCE</b> .X ±0.30 .XX ±0.20 .XXX ±0.10		<b>昆旺精密连接器有限公司</b> VIGORCONN PRECISION CONNECTOR CO., LTD				<b>PART NO.</b> CH023-0XX-02F			
									<b>APPROVAL</b> Kim. Huang <b>CHECK</b> Jova <b>DRAWN</b> Hekewei <b>DATA</b> 2019/04/27		<b>TITLE.</b> 0.4MM BTB (MATING HEIGHT 1.0H)					
<b>DATE</b>	<b>OLD REV</b>	<b>NEW REV</b>	<b>ECN</b>	<b>DESCRIPTION</b>	<b>CHECK</b>	<b>APPROVAL</b>	<b>PROJECT</b> 		<b>UNIT</b> MM	<b>SCALE</b> 1:1	<b>NUMBER</b> A-000	<b>REV</b> A				

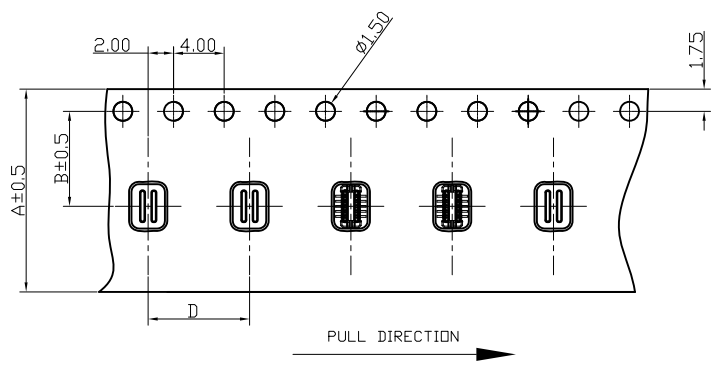
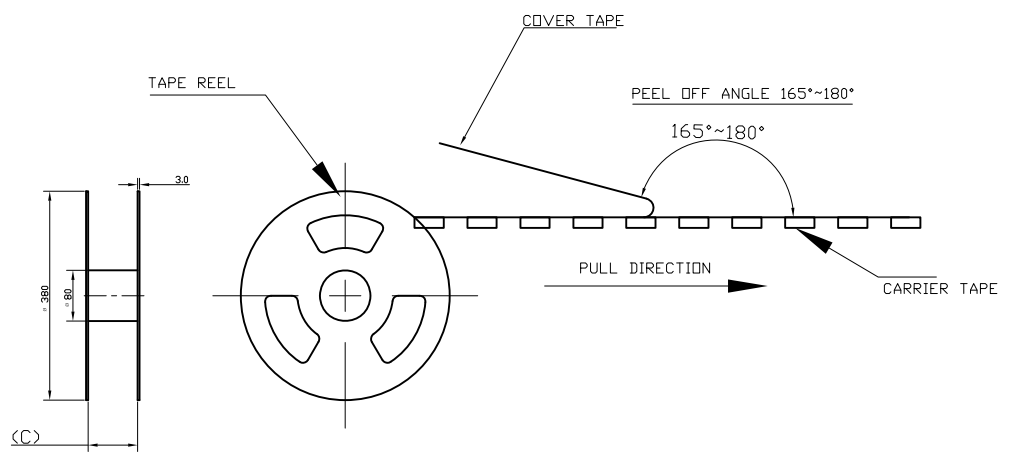


TABLE:

40					
34	16.00	7.50	17.4	8.00	10000
30					
24	16.00	7.50	17.4		
20				4.00	20000
10					
NUMBER OF CONTACTS	A	B	C	D	QTY/REEL



DATE	OLD REV	NEW REV	ECN	DESCRIPTION	CHECK	APPROVAL
1						

GENERAL TOLERANCE	
.X	±0.30
.XX	±0.20
.XXX	±0.10

**昆旺精密连接器有限公司**  
VIGORCONN PRECISION CONNECTOR CO., LTD

APPROVAL	CHECK	DRAWN	DATA
Kim. Huang	Jova	Hekewei	2019/04/27

PART NO. CH023-0XX-02M			
TITLE. 0.4MM BTB (MATING HEIGHT 1.0H)			
UNIT MM	SCALE 1:1	NUMBER A-000	REV A

1 2 3 4 5 6 7 8

F

E

D

C

B

A

F

E

D

C

B

A