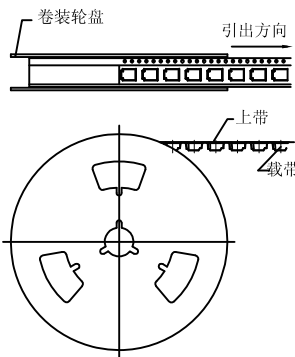
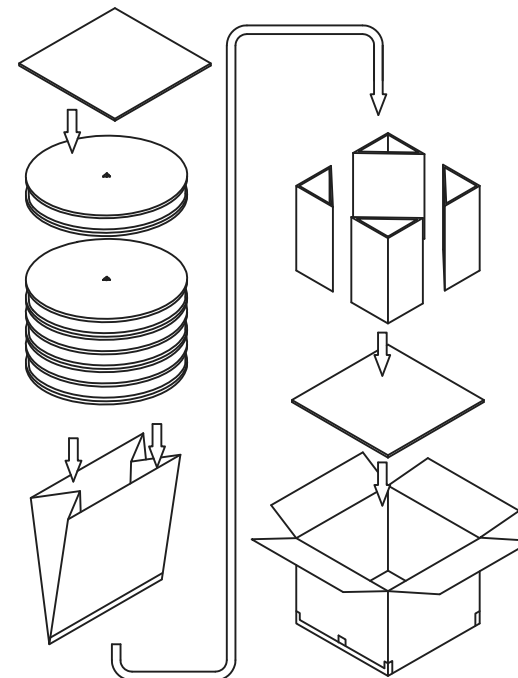
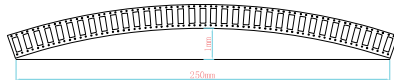


卷装示意图仅供参考



载带在250mm长度以内最大弯曲度不超过1mm (见下图)。



NOTES:

1. ALL DIMENSION MEET EIA-481-3 REQUIREMENTS;
2. CARRIER MATERIAL: PS, CLEAR;
3. PACKING QULITY: 2000PCS/REEL;



PIN位	A	F	W	PIN位	A	F	W
4	6.4	2.25	16	33	20.9	14.25	32
5	6.9			34	21.4		
6	7.4			35	21.9		
7	7.9			36	22.4		
8	8.4			37	22.9		
9	8.9			38	23.4		
10	9.4			39	23.9		
11	9.9			40	24.4		
12	10.4	8.25	24	41	24.9	20.25	44
13	10.9			42	25.4		
14	11.4			43	25.9		
15	11.9			44	26.4		
16	12.4			45	26.9		
17	12.9			46	27.4		
18	13.4			47	27.9		
19	13.9			48	28.4		
20	14.4	14.25	32	49	28.9	26.25	56
21	14.9			50	29.4		
22	15.4			51	29.9		
23	15.9			52	30.4		
24	16.4			53	30.9		
25	16.9			54	31.4		
26	17.4			55	31.9		
27	17.9			56	32.4		
28	18.4	57	32.9				
29	18.9	58	33.4				
30	19.4	59	33.9				
31	19.9	60	34.4				
32	20.4						

DATE	OLD REV	NEW REV	ECN	DESCRIPTION	CHECK	APPROVAL	PROJECT
1			2			4	

GENERAL TOLERANCE	
.X	±0.30
.XX	±0.20
.XXX	±0.10

昆旺精密连接器有限公司
 VIGORCONN PRECISION CONNECTOR CO., LTD

APPROVAL	CHECK	DRAWN	DATA
		Yu wei	2018/04/20

PART NO.		F822XX-HMXXX5	
TITLE: 0.5P 1.2H FPC (BACK-FLIP)-CUST			
UNIT	SCALE	NUMBER	REV
MM	1:1	A-000	A