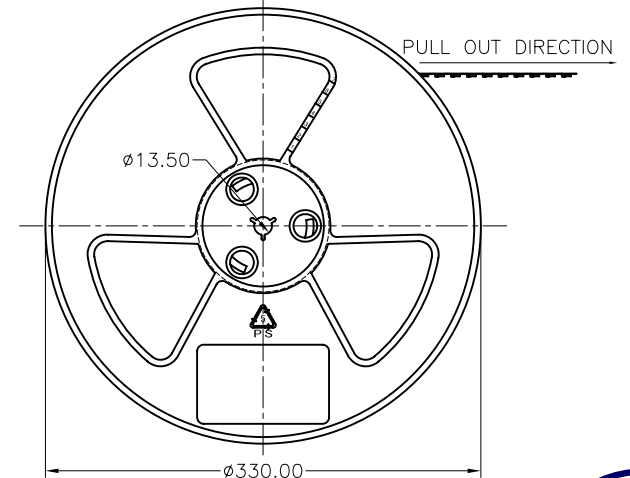
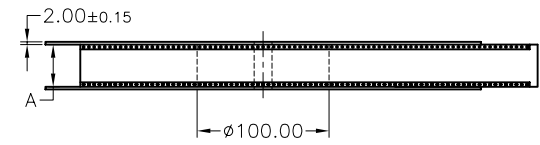
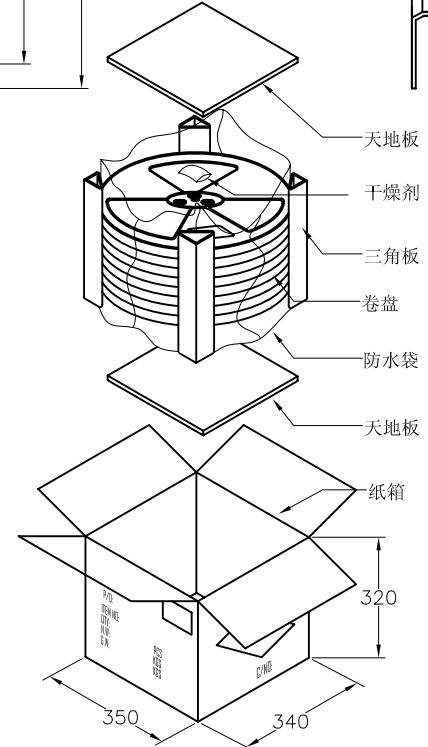


NOTES:
 1.10 Sprocket hole pitch cumulative tolerance ± 0.20 .
 2.Carrier camber is within 1mm in 100mm.
 3.Material: black conductive polystyrene alloy.
 4.All dimensions meet EIA-481-3 requirements.
 5.For tape width(dimension A)16 and 24mm a pilot hole is provided on one side.
 For tape width(dimension A)32 and 44 and 56mm pilot holes are provided on both sides.



PULL OUT DIRECTION →



DESCRIPTION	0.5mm Pitch FPC CONNECTOR				
DIM: W	16	24	32	44	56
DIM: W1			28.4	40.4	52.4
DIM: W2	7.5	11.5	14.2	20.2	26.2
PCS/REEL	3000				
REEL/BOX	15	10	8	6	5
BOX (PCS)	45000	30000	24000	18000	15000
CTN SIZE	350*345*320				



								GENERAL TOLERANCE		昆旺精密连接器有限公司 VIGORCONN PRECISION CONNECTOR CO., LTD				PART NO. F622XX-H152105			
								0.0 ±0.15 0.00 ±0.10 0.000 ±0.05						TITLE. 0.5Pitch H=1.5 FPC R/A Type1 SMT CONN			
								PROJECT		APPROVAL	CHECK	DRAWN	DATA	UNIT	SCALE	NUMBER	REV
DATE	OLD REV	NEW REV	ECN	DESCRIPTION	CHECK	APPROVAL			Kim Huang	Jova Lau	Xiao Wen Xuan	2019/05/15	MM	1:1	A-00	A	