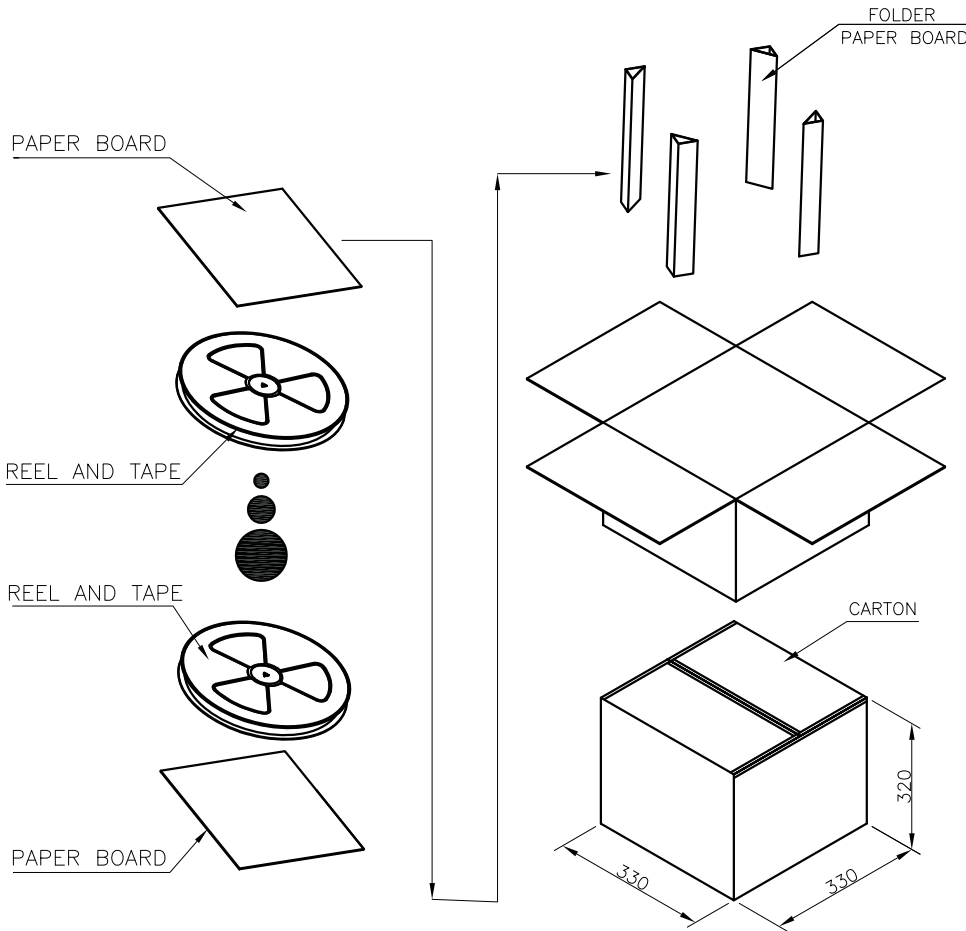
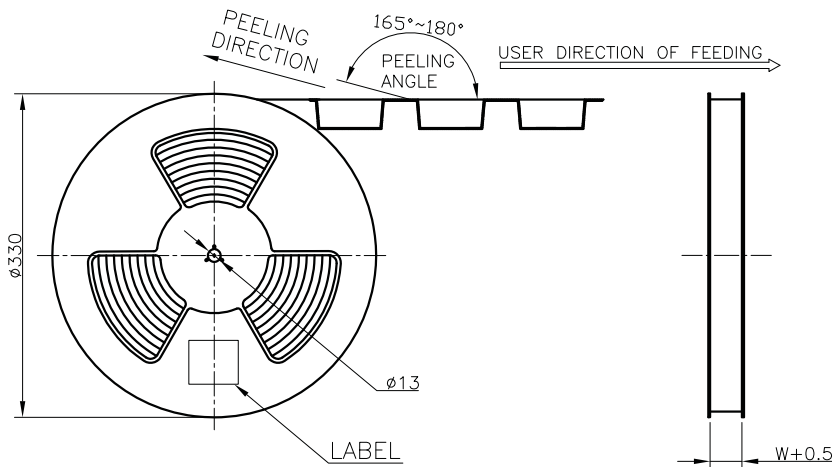


← PRODUCT PACKAGING DIRECTION  
 CUSTOMER TO USE DIRECTION →



CONN. PART NO.	CONN. QTY./REEL	REEL QTY./CARTON	CONN. QTY./CARTON
KWUB31A-16C2-LV3TA-111606	1000	10	10000 PCS

DATE	OLD REV	NEW REV	ECN	DESCRIPTION	CHECK	APPROVAL
1			2			4

GENERAL TOLERANCE	
.X	±0.30
.XX	±0.20
.XXX	±0.10

**昆旺精密连接器有限公司**  
**VIGORCONN PRECISION CONNECTOR CO., LTD**

APPROVAL	CHECK	DRAWN	DATA
Kim Huang	Jova Lau	Wuxiaotao	2019/03/31

PART NO.			
KWUB31A-16C2-LV3TA-111606			
TITLE			
Type.C 16PIN L=6.5MM CONN. RECPTACLE			
UNIT	SCALE	NUMBER	REV
MM	1:1	A-022	A