

TABLE:

40	16.00	7.50	17.4	20000
30				
24				
10				
NUMBER OF CONTACTS	A	B	C	QTY/REEL



							<b>GENERAL TOLERANCE</b> .X ±0.30 .XX ±0.20 .XXX ±0.10				<b>昆旺精密连接器有限公司</b> VIGORCONN PRECISION CONNECTOR CO., LTD				<b>PART NO.</b> CH05XX-XX-X XMBXX															
							<b>APPROVAL</b> Kim. Huang				<b>CHECK</b> Jova				<b>DRAWN</b> Hekewei				<b>DATA</b> 2018/04/20											
							<b>PROJECT</b> 				<b>TITLE.</b> 0.5 BOARD TO BOARD SMT V/T TYPE MALE				<b>UNIT</b> MM				<b>SCALE</b> 1:1				<b>NUMBER</b> A-000				<b>REV</b> A			
<b>DATE</b>	<b>OLD REV</b>	<b>NEW REV</b>	<b>ECN</b>	<b>DESCRIPTION</b>	<b>CHECK</b>	<b>APPROVAL</b>																								

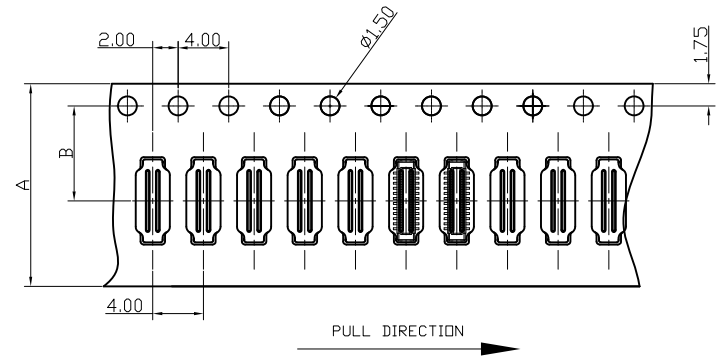
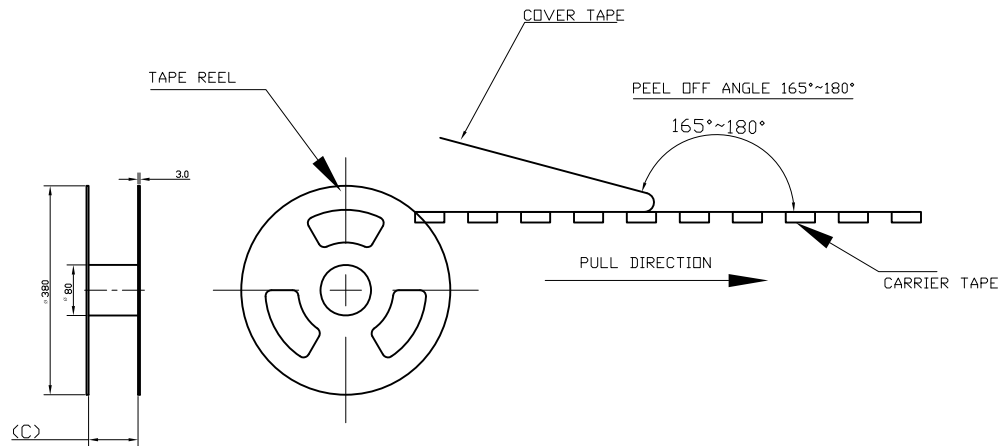


TABLE:

40	16.00	7.50	17.4	20000
30				
24				
10				
NUMBER OF CONTACTS	A	B	C	QTY/REEL



							<b>GENERAL TOLERANCE</b> .X ±0.30 .XX ±0.20 .XXX ±0.10		<b>昆旺精密连接器有限公司</b> VIGORCONN PRECISION CONNECTOR CO., LTD		<b>PART NO.</b> CH05XX-XX-X XMBXX	
							<b>APPROVAL</b> <b>CHECK</b> <b>DRAWN</b> <b>DATA</b>		<b>TITLE.</b> 0.5 BOARD TO BOARD SMT V/T TYPE MALE		<b>UNIT</b> <b>SCALE</b> <b>NUMBER</b> <b>REV</b> MM   1:1   A-000   A	
<b>DATE</b>	<b>OLD REV</b>	<b>NEW REV</b>	<b>ECN</b>	<b>DESCRIPTION</b>	<b>CHECK</b>	<b>APPROVAL</b>	<b>PROJECT</b>	<b>Yu wei</b>	<b>2018/04/20</b>			