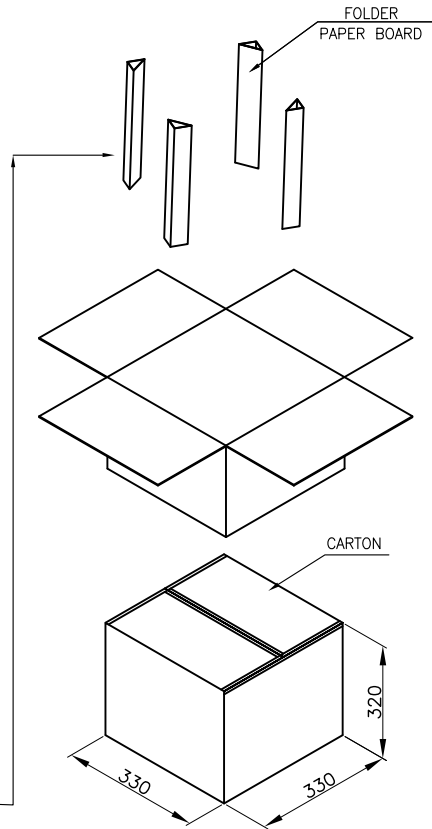
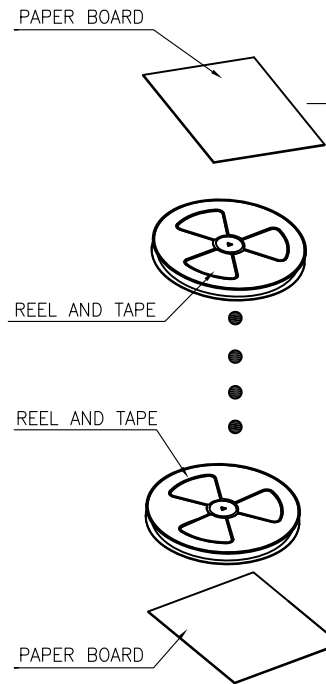
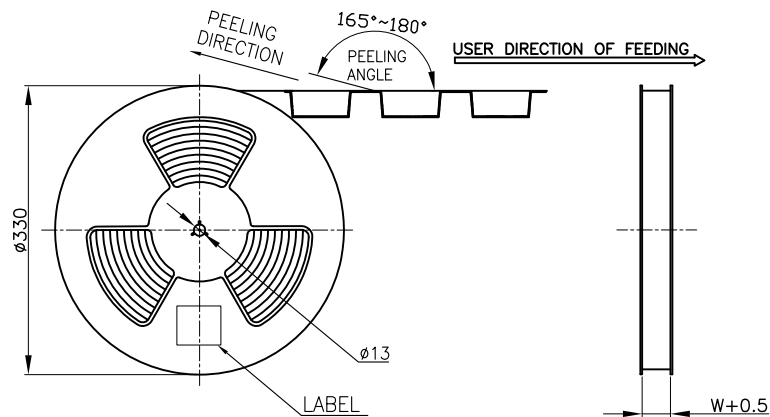


← PRODUCT PACKAGING DIRECTION
 CUSTOMER TO USE DIRECTION →



CONN. PART NO.	CONN. QTY./REEL	REEL QTY./CARTON	CONN. QTY./CARTON
KWUB31A-16C2-LV3TA-651621	650	10	6500 PCS

DATE	OLD REV	NEW REV	ECN	DESCRIPTION	CHECK	APPROVAL
1						
2						
3						
4						

GENERAL TOLERANCE	
.X	± 0.30
.XX	± 0.20
.XXX	± 0.10
PROJECT	

昆旺精密连接器有限公司
 VIGORCONN PRECISION CONNECTOR CO., LTD

APPROVAL	CHECK	DRAWN	DATA
Kevin,d	DK	LuiZH	2019/04/12

PART NO			
KWUB31A-16C2-LV3TA-H65073			
TITLE			
Type.C 16PIN Vertical CONN. RECPTACLE			
UNIT	SCALE	NUMBER	REV
MM	1:1	A-000	A