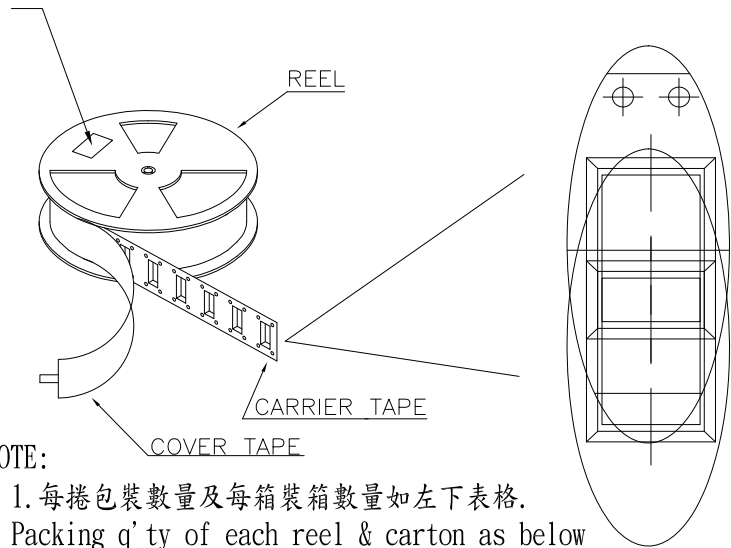
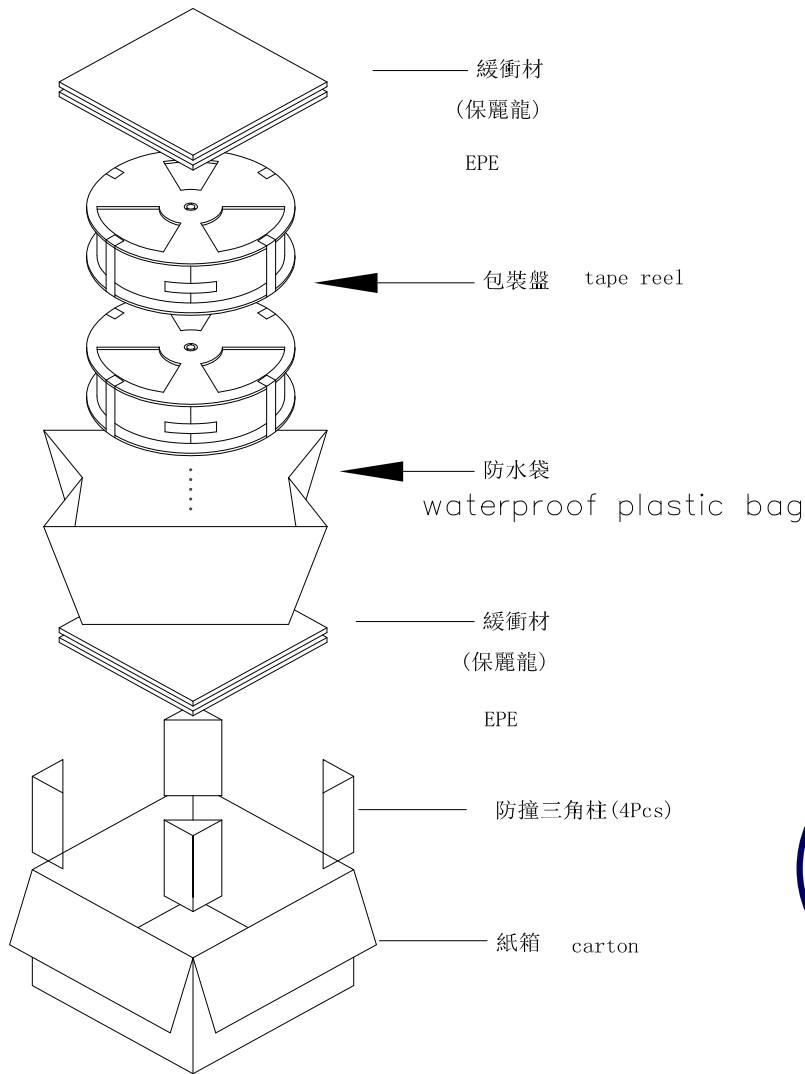


1 2 3 4 5 6 7 8

at small positioning hole of the carrier tape side).  
 標籤黏貼處 (朝捲裝包材的小定位孔一側)  
 Location of label sticking (label

F  
E  
D  
C  
B

F  
E  
D  
C  
B



NOTE:

1. 每捲包裝數量及每箱裝箱數量如左下表格。  
Packing q'ty of each reel & carton as below table shown.
2. 以上膠帶覆蓋下包裝帶經包裝機熱熔包裝  
Use cover tape to cover and hot melt machine to seal up.
3. 每個紙箱放2個珍珠棉  
Every carton use 2pcs EPE.
4. 將裝滿產品的卷盤放入紙箱并以膠帶封口  
Put reels in the carton and use adhesive tape to seal up.



產品料號 (PRODUCT No.)	包裝容量 (PACKING CAPACITY)			重量 WEIGHT (Kg)		
	PCS/REEL	REELS/CARTON	PCS/CARTON	N.W./PCS	N.W./BOX	G.W./BOX
KWUB31A-24 Cx-L Vx TA-HXXXXX	450	8	3600			

DATE	OLD REV	NEW REV	ECN	DESCRIPTION	CHECK	APPROVAL	PROJECT	APPROVAL	CHECK	DRAWN	DATA	UNIT	SCALE	NUMBER	REV
							Kim Huang	Kim Huang	Jova Lau	Wuxiaotao	2018/11/12	MM	1:1	A-022	A

1 2 3 4 5 6 7 8

GENERAL TOLERANCE  
 .X ±0.30  
 .XX ±0.20  
 .XXX ±0.10

**昆旺精密连接器有限公司**  
 VIGORCONN PRECISION CONNECTOR CO., LTD

**PART NO.**  
 KWUB31A-24 Cx-L Vx TA-HXXXXX  
**TITLE** TITLE:USB 3.1 C TYPE FEMALE STRAIGHT CONNECTOR