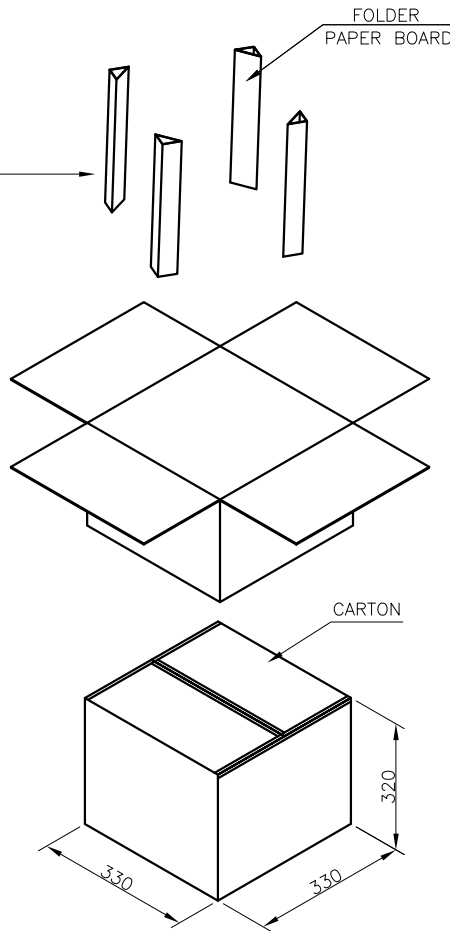
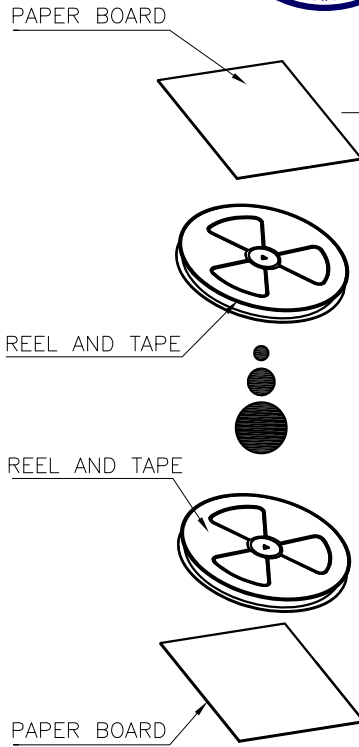
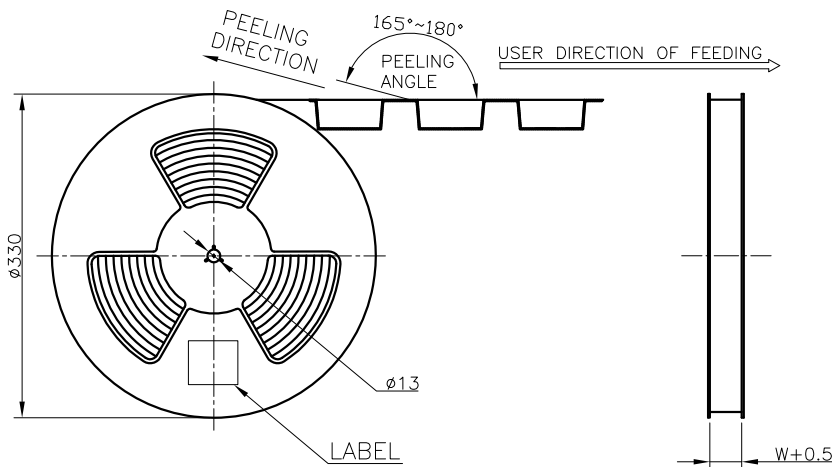


← PRODUCT PACKAGING DIRECTION
 CUSTOMER TO USE DIRECTION →



| CONN. PART NO. | CONN. QTY./REEL | REEL QTY./CARTON | CONN. QTY./CARTON |
|------------------------------|-----------------|------------------|-------------------|
| KWUB31A-16 C2-N V3 TA-DGA838 | 1000 | 10 | 10000 PCS |

| DATE | OLD REV | NEW REV | ECN | DESCRIPTION | CHECK | APPROVAL |
|------|---------|---------|-----|-------------|-------|----------|
| 1 | | | 2 | | | 4 |

| GENERAL TOLERANCE | |
|-------------------|-------|
| .X | ±0.30 |
| .XX | ±0.20 |
| .XXX | ±0.10 |

昆旺精密连接器有限公司
VIGORCONN PRECISION CONNECTOR CO., LTD

APPROVAL: Kim Huang
 CHECK: Jova Lau
 DRAWN: Wuxiaotao
 DATA: 2019/01/31

| PART NO. | | | |
|--------------------------------------|-------|--------|-----|
| KWUB31A-16 C2-N V3 TA-DGA838 | | | |
| TITLE | | | |
| Type.C 16PIN L=6.5MM CONN. RECPTACLE | | | |
| UNIT | SCALE | NUMBER | REV |
| MM | 1:1 | A-022 | A |

1 2 3 4 5 6 7 8