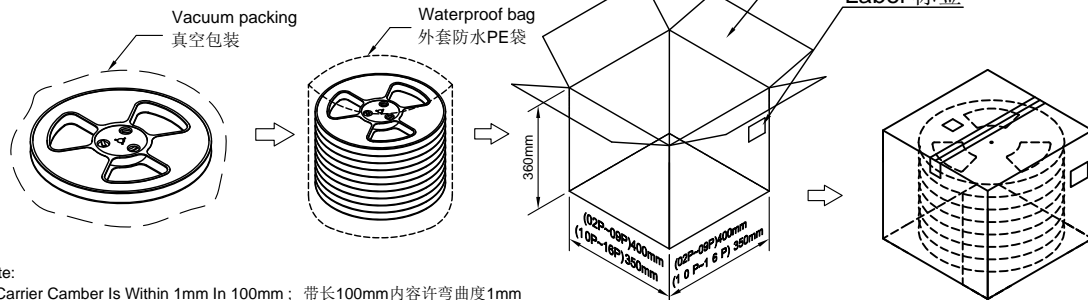
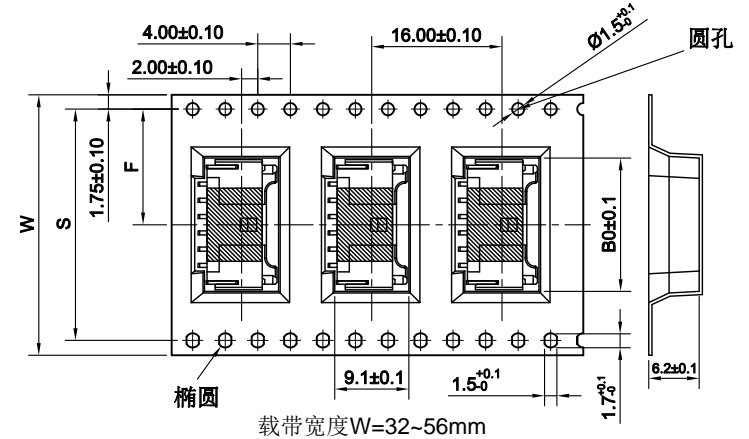
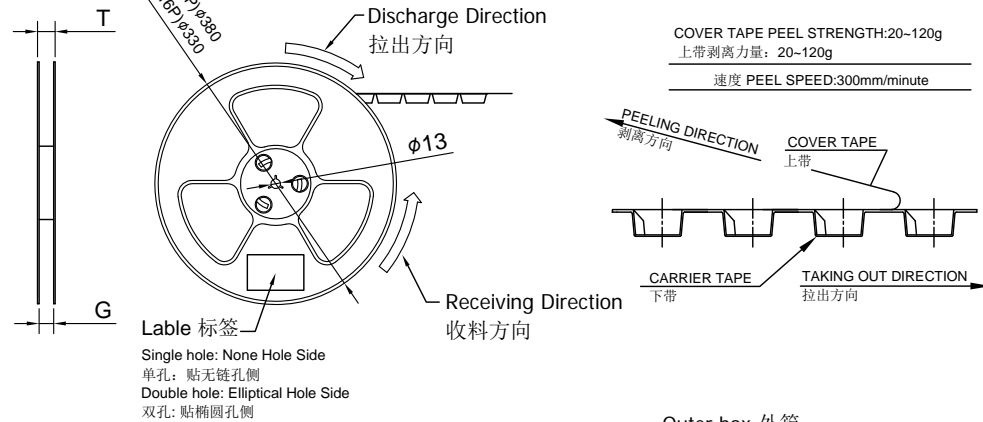
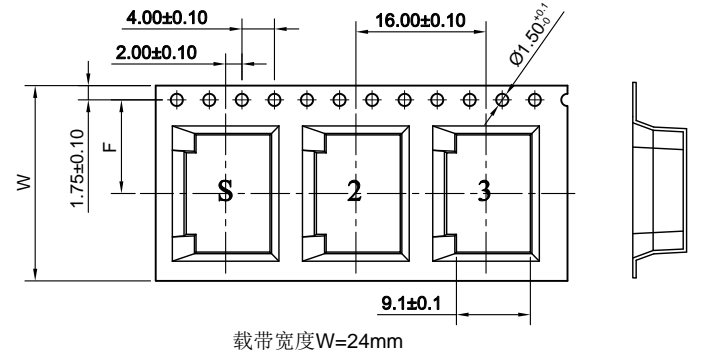
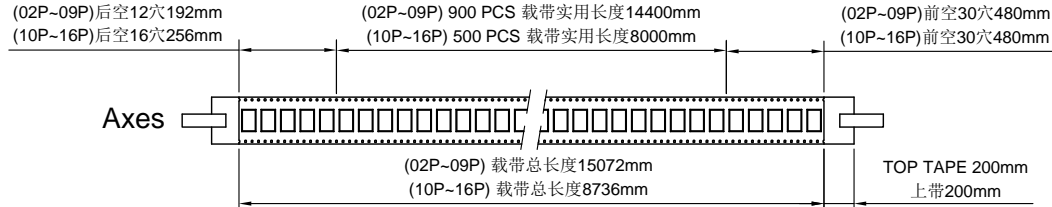


RoHS



- Note:
- Carrier Camber Is Within 1mm In 100mm; 带长100mm内容许弯曲度1mm
  - 10 Sprocket Hole Pitch Cumulative Tolerance±0.2MM; 圆孔十个孔距离累计允许公差为±0.2mm
  - Material for PS; 材质为PS材质; Color颜色:Natural本色透明色
  - bracer保护带: Color颜色:Natural透明色;厚度0.40mm最小
  - Thickness=0.40±0.05; 材料厚度为0.40±0.05mm
  - Cover Tape上带: 冷封
  - Carton material纸箱材质:K=K; Carton Thickness纸箱厚度: 6±1mm

Carrier Tape No. 载带料号	W	S	F	T	G	B0	REEL /PCS	CARTON /R	CARTON /PCS
ZD2000WRS-02HF	24	/	11.50	28.5	24.5	8.4	900	12	10800
ZD2000WRS-03HF						10.4			
ZD2000WRS-04HF						12.4			
ZD2000WRS-05HF						14.4			
ZD2000WRS-06HF						16.4			
ZD2000WRS-07HF						18.4			
ZD2000WRS-08HF	20.4	900	9	8100					
ZD2000WRS-09HF	22.4								
ZD2000WRS-10HF	24.4								
ZD2000WRS-11HF	44	40.4	20.2	48.5	44.5	26.4	500	7	3500
ZD2000WRS-12HF						28.4			
ZD2000WRS-13HF						30.4			
ZD2000WRS-14HF						32.4			
ZD2000WRS-15HF	56	52.4	26.2	60.5	56.5	34.4	500	5	2500
ZD2000WRS-16HF						36.4			

DATE	OLD REV	NEW REV	ECN	DESCRIPTION	CHECK	APPROVAL	PROJECT	APPROVAL	CHECK	DRAWN	DATA	UNIT	SCALE	NUMBER	REV
2019/10/21	H	I		修正包装数量	Alan qin	Smark	GENERAL TOLERANCE .X ±0.30 .XX ±0.20 .XXX ±0.10	Smark	zhonghua	Alan qin	2018/06/07	mm	1:1	A-000	I
2016/06/24	G	H	ECN20160624001	修改高度尺寸和增加内框尺寸管控	sylvia	Joshua									
PART NO. 2000WRS-XX-XXSWXXX-S															

昆旺精密连接器有限公司  
VIGORCONN PRECISION CONNECTOR CO., LTD

APPROVAL CHECK DRAWN DATA