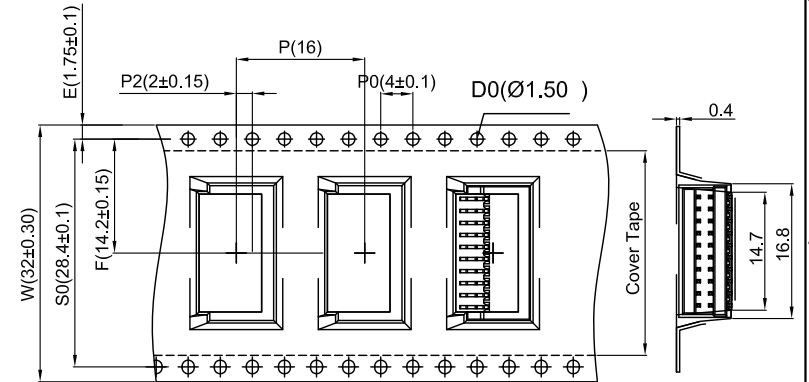
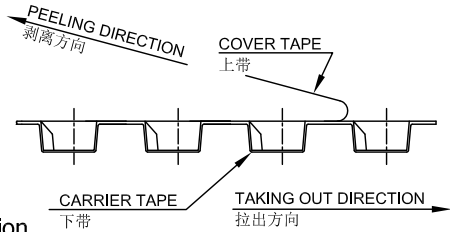
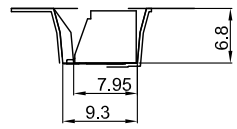
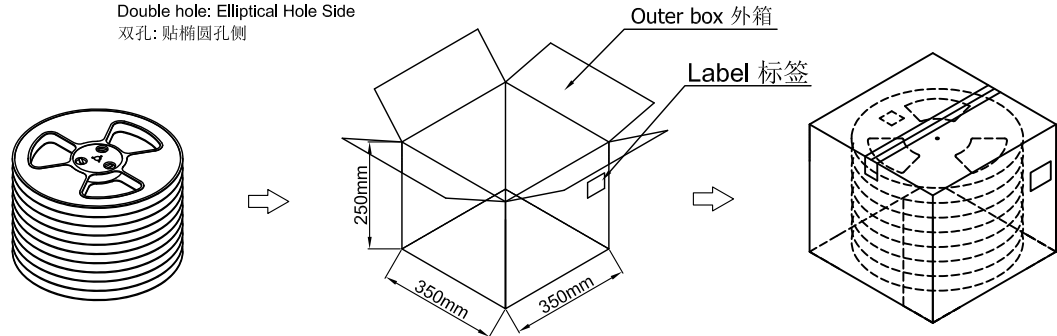


COVER TAPE PEEL STRENGTH:20~120g
上带剥离力量: 20~120g
速度 PEEL SPEED:300mm/minute



Single hole: None Hole Side
单孔: 贴无链孔侧
Double hole: Elliptical Hole Side
双孔: 贴椭圆孔侧



Note:

- Carrier Camber Is Within 1mm In 100mm ; 带长100mm内容许弯曲度1mm
- 10 Sprocket Hole Pitch Cumulative Tolerance±0.2MM ; 圆孔十个孔距离累计允许公差为±0.2mm
- Material for PS ; 材质为PS材质
- Thickness=0.40±0.05 ; 材料厚度为0.40±0.05mm

ZD1511WRS-2*10 1511WRS-2*10-LPV01	Pin No.	W	S	F	T	G	REEL /PCS	CARTON /R	CARTON /PCS
	ZD1511WRS-2*10	32	28.40	14.20	36.50	32.40	500	6R	3000

GENERAL TOLERANCE	
.X	±0.30
.XX	±0.20
.XXX	±0.10

昆旺精密连接器有限公司
VIGORCONN PRECISION CONNECTOR CO., LTD

PART NO.		WB15-2*10 RS -LPG01	
TITLE			
1.50mm SMT 90° Package			
UNIT	SCALE	NUMBER	REV
MM	1:1	A-106	A

DATE	OLD REV	NEW REV	ECN	DESCRIPTION	CHECK	APPROVAL	PROJECT

APPROVAL	CHECK	DRAWN	DATA
		Joshua	2017/10/30