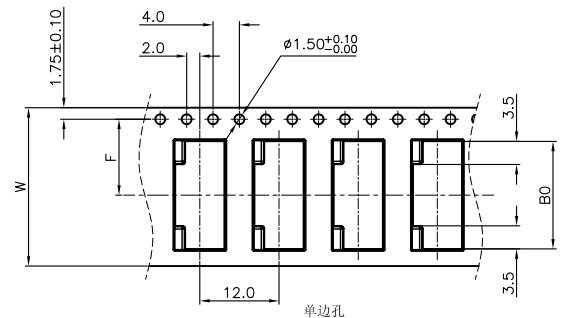
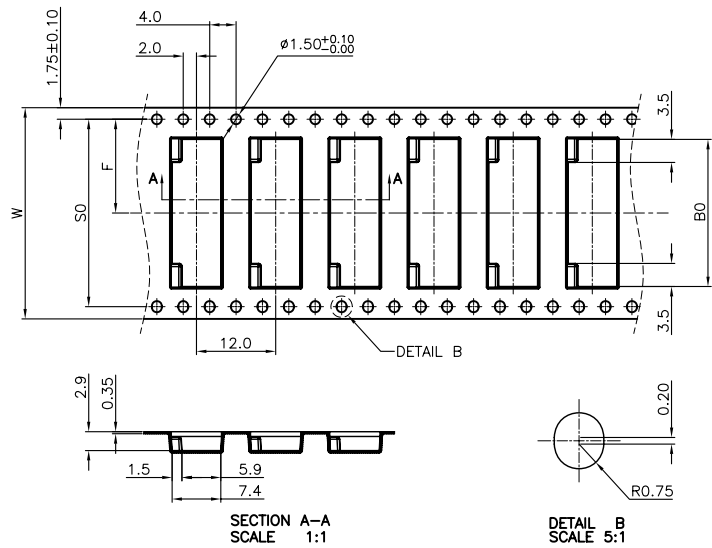
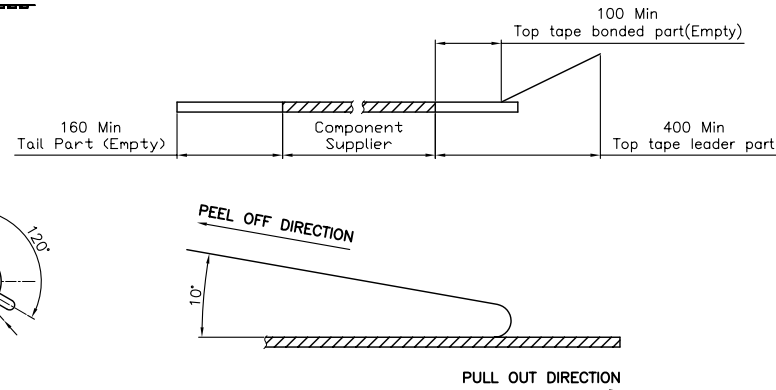


- NOTES:
1. 10 SPROCKET HOLE PITCH CUMULATIVE TOLERANCE.±0.20mm
 2. CARRIER CAMBER NOT TO EXCEED 1mm IN 250mm.
 3. ALL DIMENSIONS MEET EIA-481-C REQUIREMENTS.
 4. MATERIAL: BLACK ANTI-STATIC POLYSTYRENE.
 5. THICKNESS: 0.35 ± 0.05 mm.
 6. PACKING LENGTH PER 13" REEL : 18.60METERS.
 7. COMPONENT LOAD PER 13" REEL : 1500PCS
 8. PEELING OFF FORCE OF TOP TAPE 0.1N~0.7N(10.2gf~100gf).



DATE	OLD REV	NEW REV	ECN	DESCRIPTION	CHECK	APPROVAL	PROJECT	

GENERAL TOLERANCE	
X	±0.30
.XX	±0.20
.XXX	±0.10

昆旺精密连接器有限公司
VIGORCONN PRECISION CONNECTOR CO., LTD

APPROVAL	CHECK	DRAWN	DATA
Kim Huang	Jova Lau	Xiao Wen Xuan	2014/04/20

PART NO. F1024xx-Hxxx9			
TITLE. FPC1.0 贴片无盖双面接 (带焊片)			
UNIT	SCALE	NUMBER	REV
MM	1:1	A-000	A