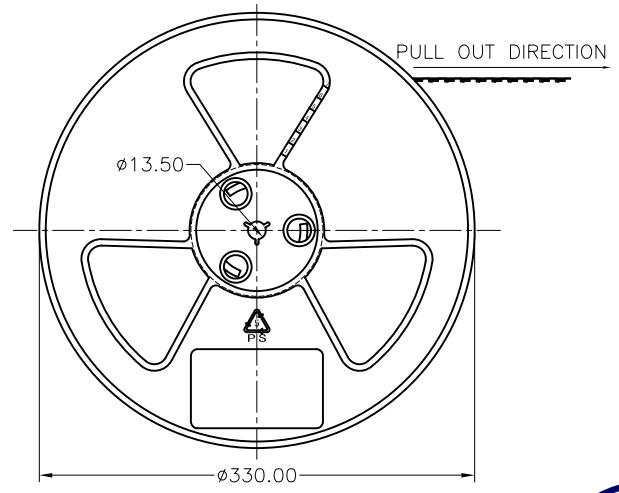
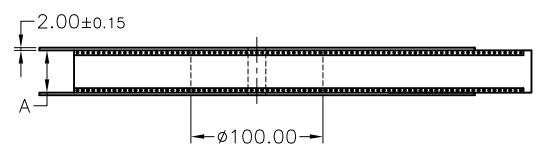
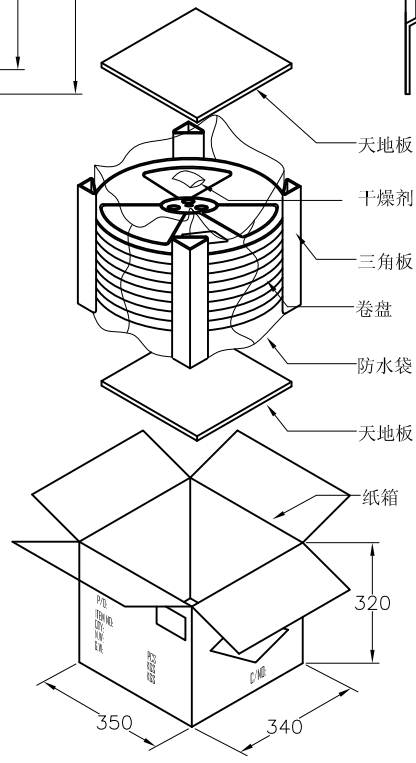


NOTES:  
 1.10 Sprocket hole pitch cumulative tolerance  $\pm 0.20$ .  
 2.Carrier camber is within 1mm in 100mm.  
 3.Material: black conductive polystyrene alloy.  
 4.All dimensions meet EIA-481-3 requirements.  
 5.For tape width(dimension A)16 and 24mm a pilot hole is provided on one side.  
 For tape width(dimension A)32 and 44 and 56mm pilot holes are provided on both sides.



PULL OUT DIRECTION →



DESCRIPTION	0.5mm Pitch FPC CONNECTOR				
DIM: W	16	24	32	44	56
DIM: W1			28.4	40.4	52.4
DIM: W2	7.5	11.5	14.2	20.2	26.2
PCS/REEL	1500				
REEL/BOX	20	10	8	6	5
BOX (PCS)	30000	15000	12000	8000	7500
CTN SIZE	350*345*320				



DATE	OLD REV	NEW REV	ECN	DESCRIPTION	CHECK	APPROVAL
1						
2						
3						
4						

GENERAL TOLERANCE	
.X	$\pm 0.30$
.XX	$\pm 0.20$
.XXX	$\pm 0.10$
PROJECT	

**昆旺精密连接器有限公司**  
 VIGORCONN PRECISION CONNECTOR CO., LTD

APPROVAL	CHECK	DRAWN	DATA
Kim Huang	Jova Lau	Wuxiaotao	2016/07/23

PART NO.			
F832 XX-HB2 X X			
TITLE			
Pitch0.5mm 前插后盖 (H=2.0)			
UNIT	SCALE	NUMBER	REV
MM	1:1	A-000	A