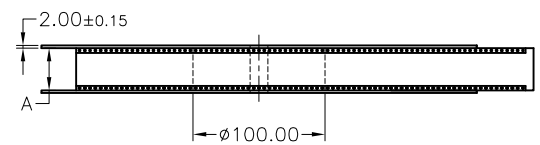
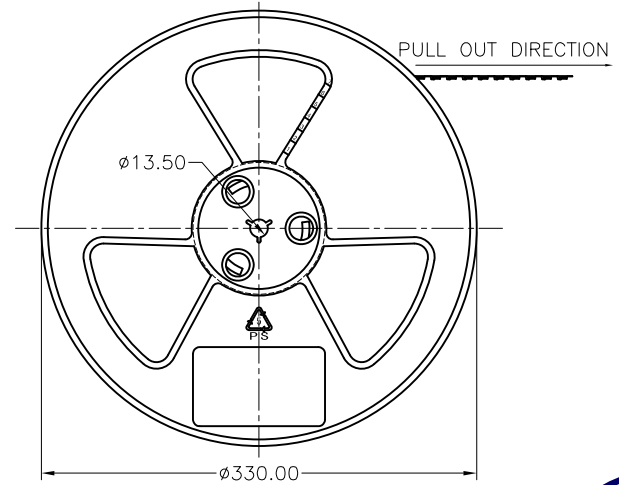
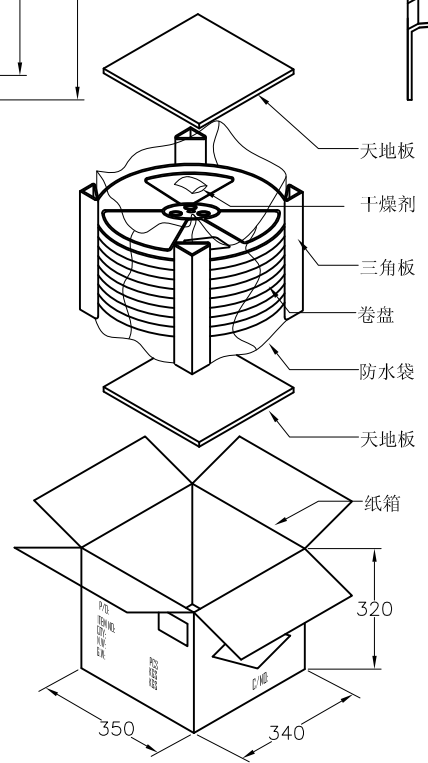


NOTES:
 1.10 Sprocket hole pitch cumulative tolerance ± 0.20 .
 2.Carrier camber is within 1mm in 100mm.
 3.Material: black conductive polystyrene alloy.
 4.All dimensions meet EIA-481-3 requirements.
 5.For tape width(dimension A)16 and 24mm a pilot hole is provided on one side.
 For tape width(dimension A)32 and 44 and 56mm pilot holes are provided on both sides.



PULL OUT DIRECTION →

DESCRIPTION	0.5mm Pitch FPC CONNECTOR				
DIM: W	16	24	32	44	56
DIM: W1	/		28.4	40.4	52.4
DIM: W2	7.5	11.5	14.2	20.2	26.2
PCS/REEL	2000				
REEL/BOX	15	10	8	6	5
BOX (PCS)	30000	20000	16000	12000	10000
CTN SIZE	350*345*320				



								GENERAL TOLERANCE		PART NO F622XX-H20XXX5							
								.X	± 0.30	TITLE H=2.0 FPC R/A Type1 SMT CONN							
								.XX	± 0.20	APPROVAL	CHECK	DRAWN	DATA	UNIT	SCALE	NUMBER	REV
DATE	OLD REV	NEW REV	ECN	DESCRIPTION	CHECK	APPROVAL	PROJECT	.XXX	± 0.10	Kim Huang	Jova Lau	Wuxiaotao	2014/04/20	MM	1:1	A-000	A

昆旺精密连接器有限公司
 VIGORCONN PRECISION CONNECTOR CO., LTD