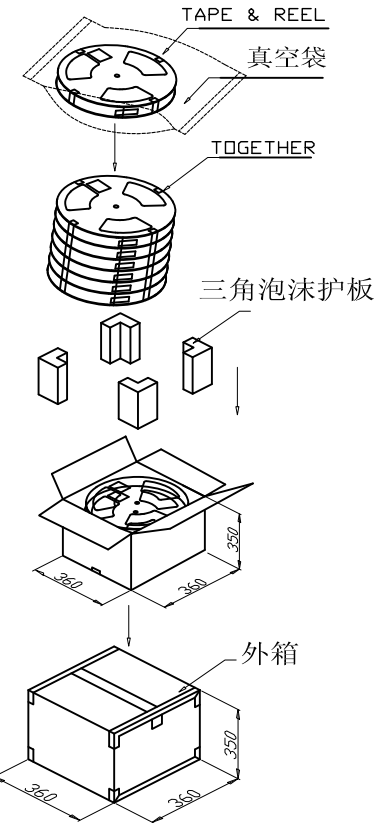
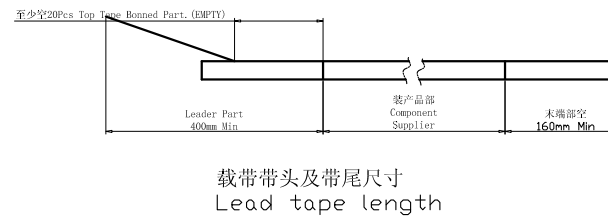


Note:

- 1.Sprocket holes pitch cumulative tolerance ± 0.1 . (Accumulative Pitch ± 0.2)
- 2.Carrier camber is within 1mm in 100mm.
- 3.All dimensions meet EIA-481-D requirements.
- 4.Thick ness: 0.4 ± 0.1 mm.
- 5.Material of top fape: PET, PE, PEF
- 6.Material of carrier fape: Poystyrene
- 7.For tape width (dimension A) 16mm and 24mm a pilot hole is provided on one side. For tape width (dimension A) 32mm and 44mm pilot holes are provided on both sides.

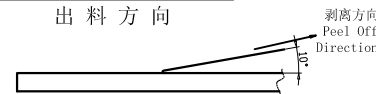


PULL OUT DIRECTION
出料方向

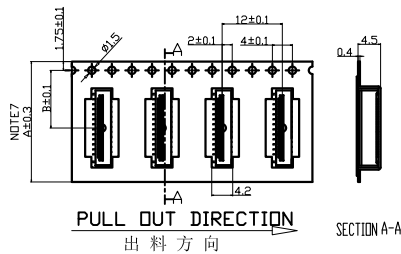


载带带头及带尾尺寸
Lead tape length

PULL OUT DIRECTION
出料方向

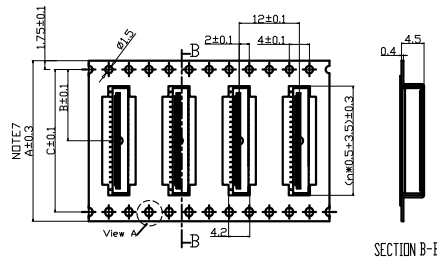


载带上下带剥离强度: 0.1N--1.3N(10g-130g)
Peeling off force of top tape:
0.1N--1.3N(10g-130g)

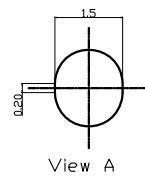


PULL OUT DIRECTION
出料方向

宽度: 16mm/24mm 载带



PULL OUT DIRECTION
出料方向



PART No.	F1027 XX-H X X X H			
REEL WIDTH	24			
PCS/REEL	1000			
REEL/BOX	12			
BOX/PCS	12K			
CTN. SIZE	360*360*350			

芯数 Pin (n)	PART NO.	尺寸 Size		
10-26	F1027 XX-H X X X H	A	B	C
		24.0	11.5	---

DATE	OLD REV	NEW REV	ECN	DESCRIPTION	CHECK	APPROVAL
1			2			4

GENERAL TOLERANCE				昆旺精密连接器有限公司 VIGORCONN PRECISION CONNECTOR CO., LTD			
0.X	± 0.25						
0.XX	± 0.12						
0.XXX	± 0.05						
PROJECT				APPROVAL	CHECK	DRAWN	DATA
				Kim Huang	Jova Lau	Wuxiaotao	2016/06/06

PART NO.				F1027 XX-H X X X H			
TITLE.				FPC1.0拉拔式半包上下接			
UNIT	SCALE	NUMBER	REV				
MM	1:1	A-000	A				