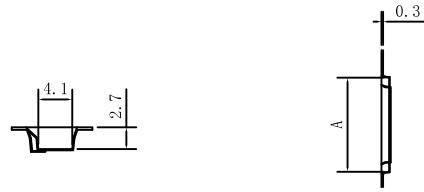


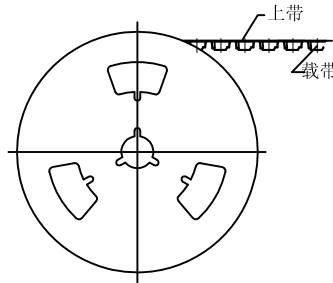
PIN位	A	F	W	PIN位	A	F	W				
4	6.4	2.25	16	33	20.9	14.25	32				
5	6.9			34	21.4						
6	7.4			35	21.9						
7	7.9			36	22.4						
8	8.4			37	22.9						
9	8.9			38	23.4						
10	9.4			39	23.9						
11	9.9			40	24.4						
12	10.4			41	24.9						
13	10.9			42	25.4						
14	11.4			43	25.9						
15	11.9			8.25	24			44	26.4	20.25	44
16	12.4	45	26.9								
17	12.9	46	27.4								
18	13.4	47	27.9								
19	13.9	48	28.4								
20	14.4	49	28.9								
21	14.9	50	29.4								
22	15.4	51	29.9								
23	15.9	52	30.4								
24	16.4	53	30.9								
25	16.9	14.25	32			54	31.4	26.25	56		
26	17.4					55	31.9				
27	17.9			56	32.4						
28	18.4			57	32.9						
29	18.9			58	33.4						
30	19.4			59	33.9						
31	19.9			60	34.4						
32	20.4										



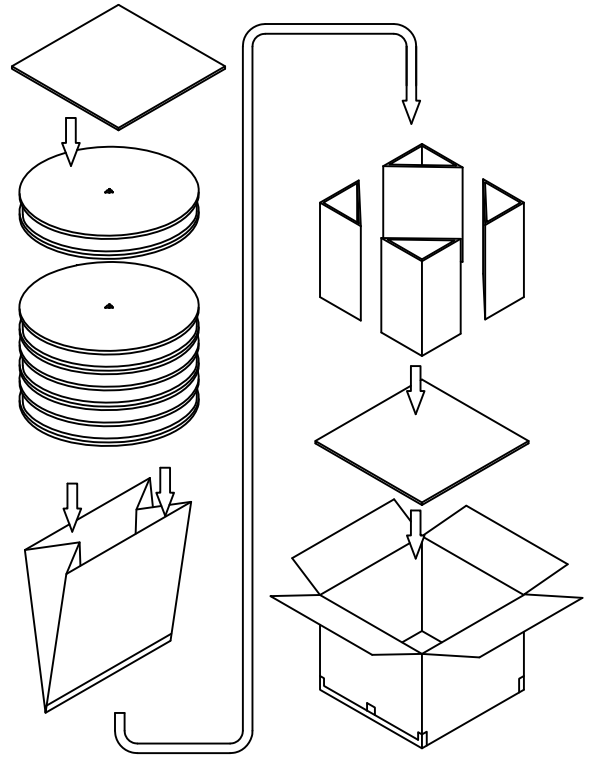
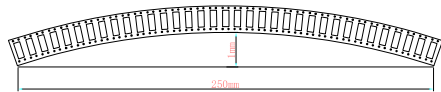
SECTION: B-B



卷装示意图仅供参考



载带在250mm长度以内最大弯曲度不超过1mm (见下图)



NOTES:

1. ALL DIMENSION MEET EIA-481-3 REQUIREMENTS;
2. CARRIER MATERIAL: PS, CLEAR;
3. PACKING QULITY: 2000PCS/REEL;

DATE	OLD REV	NEW REV	ECN	DESCRIPTION	CHECK	APPROVAL

GENERAL TOLERANCE
X. ±---
X.X ±0.20
X.XX ±0.15
X.XXX ±---
PROJECT

昆旺精密连接器有限公司
VIGORCONN PRECISION CONNECTOR CO., LTD

APPROVAL	CHECK	DRAWN	DATA
Kim Huang	Jova Lau	Xiao Wen Xuan	2019/05/15

PART NO. F822-HC21XA5			
TITLE. 0.5P 1.5H FPC (BACK-FLIP)-CUST			
UNIT	SCALE	NUMBER	REV
MM	1:1	A-00	A