

TABLE:

40	16.00	7.50	17.4	20000
30				
24				
10				
NUMBER OF CONTACTS	A	B	C	QTY/REEL



							GENERAL TOLERANCE .X ±0.30 .XX ±0.20 .XXX ±0.10				昆旺精密连接器有限公司 VIGORCONN PRECISION CONNECTOR CO., LTD				PART NO. CH05XX-XX-X XFBXX			
							APPROVAL Kim. Huang CHECK Jova DRAWN Hekewei DATA 2018/04/20				TITLE. 0.5 BOARD TO BOARD SMT V/T TYPE MALE							
DATE	OLD REV	NEW REV	ECN	DESCRIPTION	CHECK	APPROVAL	PROJECT	UNIT	SCALE	NUMBER	REV							
1							⊕ □	MM	1:1	A-000	A							

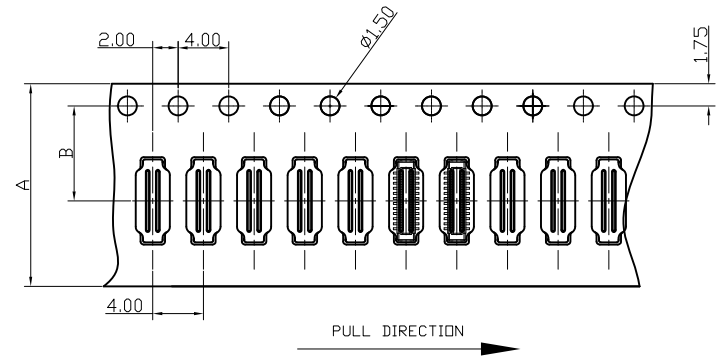
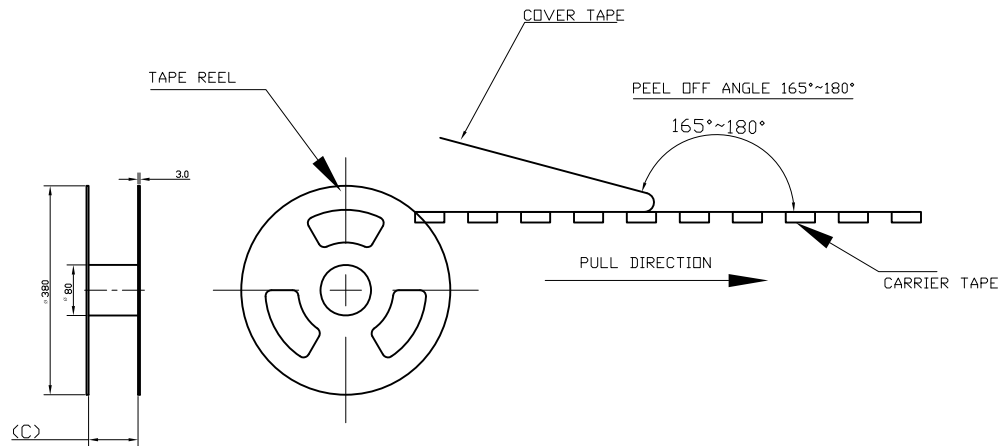


TABLE:

40	16.00	7.50	17.4	20000
30				
24				
10				
NUMBER OF CONTACTS	A	B	C	QTY/REEL



							GENERAL TOLERANCE .X ±0.30 .XX ±0.20 .XXX ±0.10		昆旺精密连接器有限公司 VIGORCONN PRECISION CONNECTOR CO., LTD		PART NO. CH05XX-XX-X XMBXX	
							APPROVAL CHECK DRAWN DATA		TITLE. 0.5 BOARD TO BOARD SMT V/T TYPE MALE		UNIT MM	
DATE	OLD REV	NEW REV	ECN	DESCRIPTION	CHECK	APPROVAL	PROJECT	YU WEI	2018/04/20	SCALE	NUMBER	REV
1			2			4				1:1	A-000	A