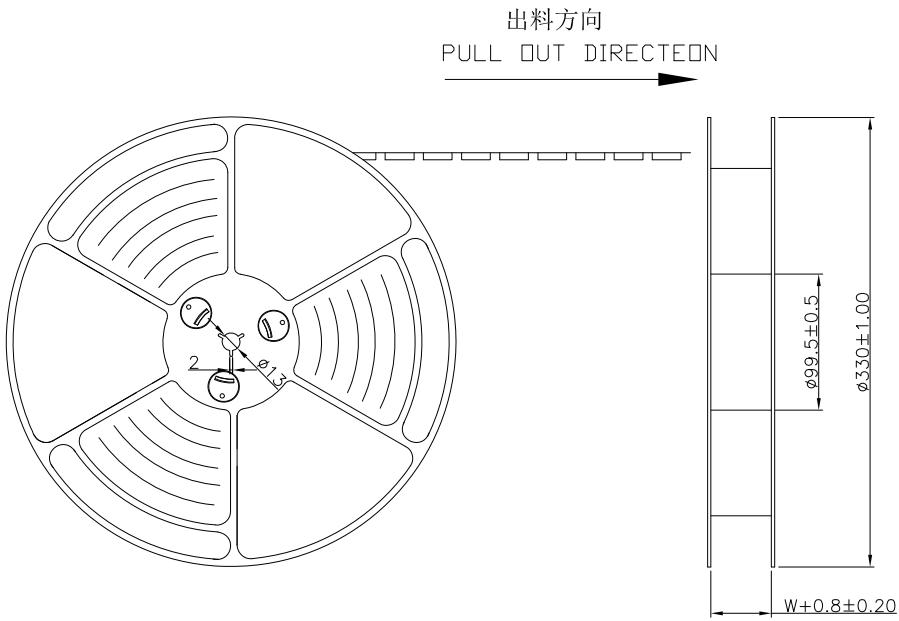
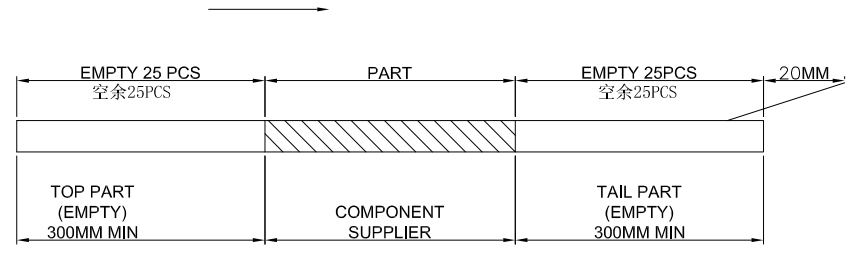


F  
E  
D  
C  
B  
A

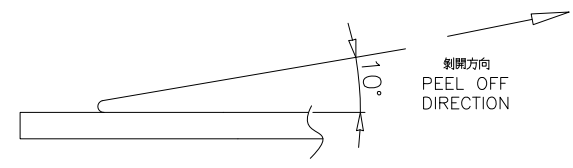
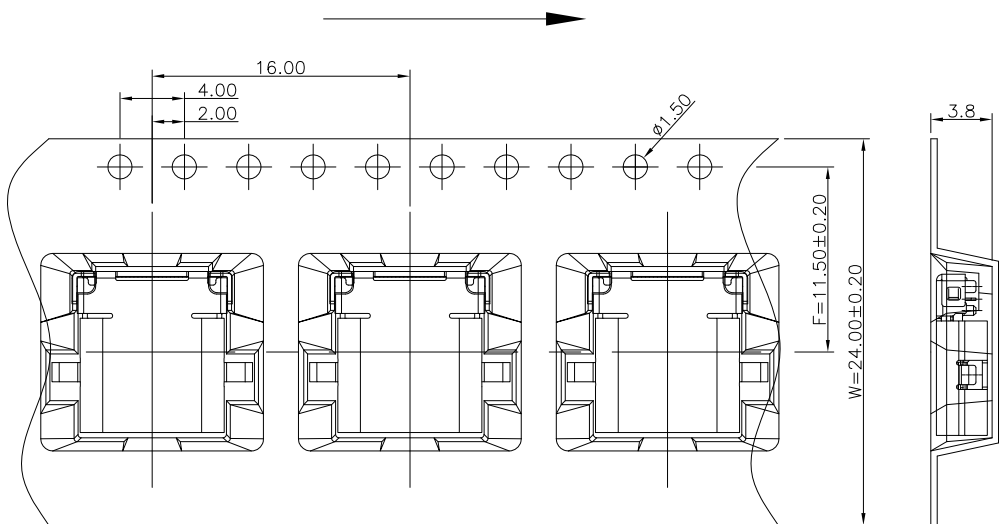


NOTES

1. 帶子引導長度  
LEAD TAPE LENGTH  
出料方向  
PULL OUT DIRECTEON



2. 上帶 剝力力為: 0.1~1.3N(10.2gf~130gf)  
PEELING OFF FORCE OF TOP TAPE: 0.1~1.3N(10.2gf~130gf)  
出貨運輸過程中一定注意:  
THIS REQUIREMENT SHOULD BE APPLIED AT SHIPMENT:  
卷帶在運輸過程中不能散開  
PEELING OFF SHOULD NOT BE ALLOWED DURING TRANSPORTATION



DATE	OLD REV	NEW REV	ECN	DESCRIPTION	CHECK	APPROVAL
1			2			4

GENERAL TOLERANCE	
.X	±0.30
.XX	±0.20
.XXX	±0.10
PROJECT	

<b>昆旺精密连接器有限公司</b> VIGORCONN PRECISION CONNECTOR CO., LTD			
APPROVAL	CHECK	DRAWN	DATA
Kim. Huang	Jova	Hekewei	2019/04/27

PART NO.			
KWUB31A-06C1-LV3TA-0612A			
TITLE			
TYPE-C 6PIN CONNECTOR			
UNIT	SCALE	NUMBER	REV
MM	1:1	A-022	A

F  
E  
D  
C  
B  
A