

TABLE:

36	24.00	11.50	25.4	4.00	20000
30					
16	16.00	7.50	17.4	8.00	10000
NUMBER OF CONTACTS	A	B	C	D	QTY/REEL



							<b>GENERAL TOLERANCE</b> .X ±0.30 .XX ±0.20 .XXX ±0.10				<b>昆旺精密连接器有限公司</b> VIGORCONN PRECISION CONNECTOR CO., LTD				<b>PART NO</b> CH035-XXX-X XM			
							<b>APPROVAL</b> Kim. Huang <b>CHECK</b> Jova <b>DRAWN</b> Hekewei <b>DATA</b> 2019/04/27				<b>TITLE.</b> 0.35MM BTB (MATING HEIGHT 0.7H)							
<b>DATE</b>	<b>OLD REV</b>	<b>NEW REV</b>	<b>ECN</b>	<b>DESCRIPTION</b>	<b>CHECK</b>	<b>APPROVAL</b>	<b>PROJECT</b>	<b>UNIT</b>	<b>SCALE</b>	<b>NUMBER</b>	<b>REV</b>							
1								MM	1:1	A-000	A							

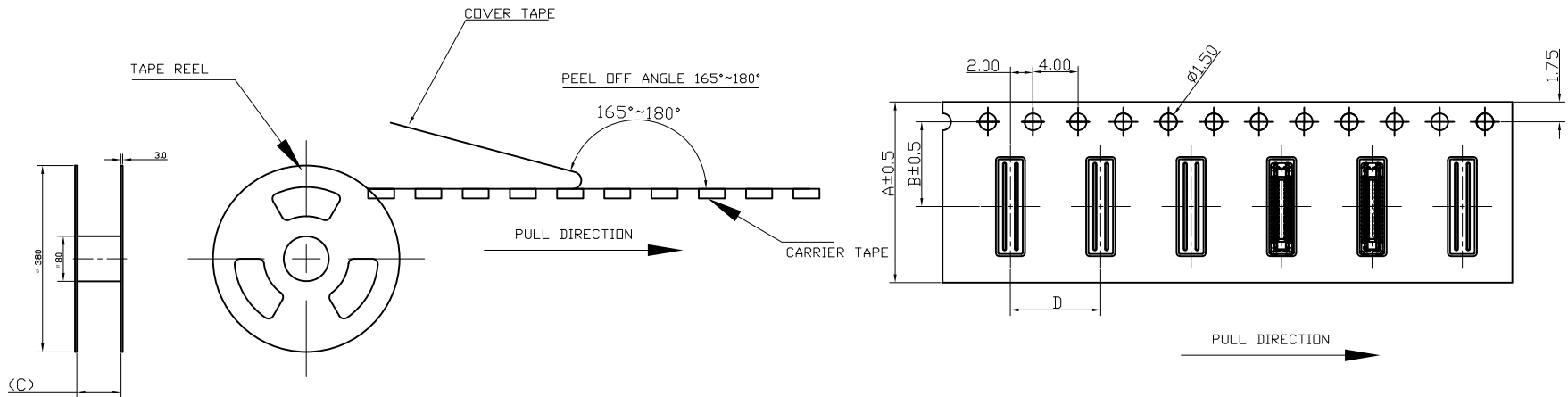


TABLE:

40	24.00	11.50	25.4	8.00	10000
36					
30	16.00	7.50	17.4	4.00	20000
16				8.00	10000
NUMBER OF CONTACTS	A	B	C	D	QTY/REEL



							<b>GENERAL TOLERANCE</b> .X ±0.30 .XX ±0.20 .XXX ±0.10				<b>昆旺精密连接器有限公司</b> VIGORCONN PRECISION CONNECTOR CO., LTD				<b>PART NO</b> CH035-XXX-X XF			
							<b>APPROVAL</b> Kim. Huang <b>CHECK</b> Jova <b>DRAWN</b> Hekewei <b>DATA</b> 2019/04/27				<b>TITLE.</b> 0.35MM BTB (MATING HEIGHT 0.7H)							
<b>DATE</b>	<b>OLD REV</b>	<b>NEW REV</b>	<b>ECN</b>	<b>DESCRIPTION</b>	<b>CHECK</b>	<b>APPROVAL</b>	<b>PROJECT</b>	<b>UNIT</b>	<b>SCALE</b>	<b>NUMBER</b>	<b>REV</b>							
1								MM	1:1	A-000	A							