

1 2 3 4 5 6 7 8

F

E

D

C

B

A

NOTE:

1.MATERIAL:

BOX: FIBREBOARD, CORRUGATED, DOUBLE WALL.

TAPE: POLYSTYRENES, HEAT-RESISTANT TEMPERATURE: 120°C, BLACK COLOR.

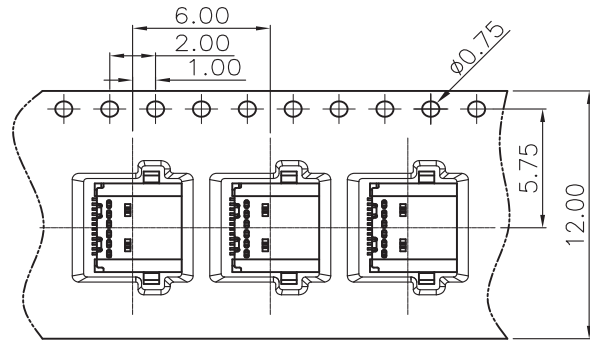
REEL: POLYSTYRENES, HEAT-RESISTANT TEMPERATURE: 70°C, BLUE COLOR.

BAG: POLYETHYLENE, HEAT-RESISTANT TEMPERATURE: 100°C.

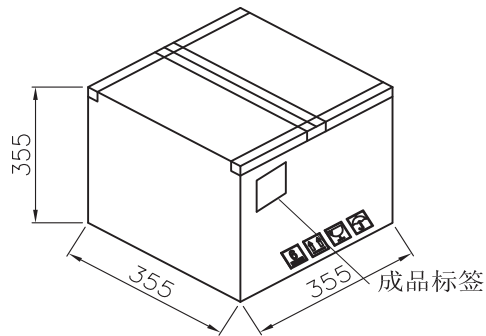
2.PEELING STRENGTH: 0.1 ~ 1.3 N (10 ~ 130 GRAMS)

3.PEELING SPEED: 300 mm/min.

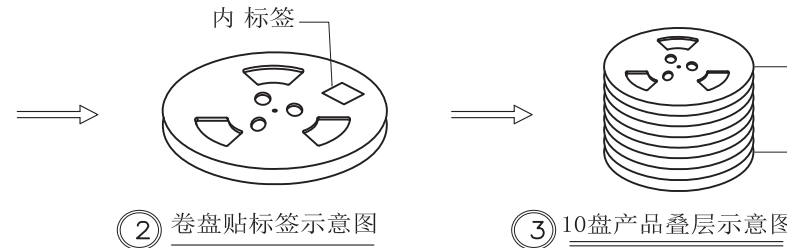
4.EACH BAG SHALL BE INCLUDED DESICCANT.



① 产品入载带示意图

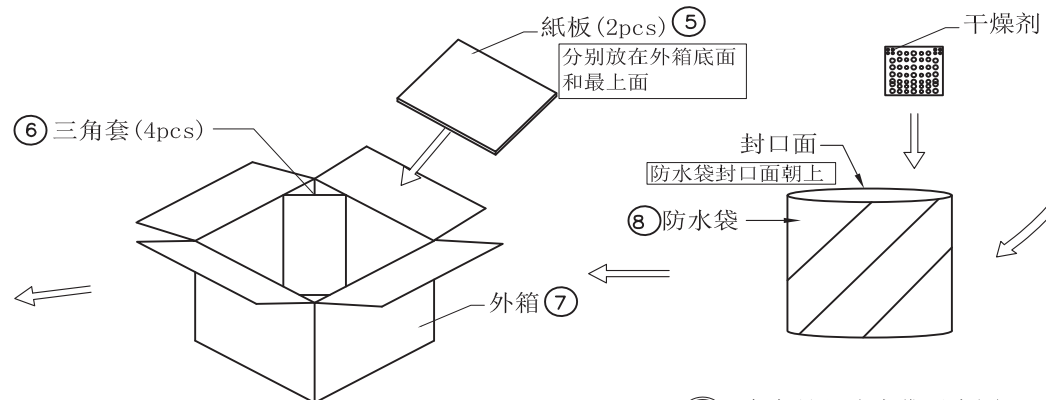


⑥ 外箱封箱示意图



② 卷盘贴标签示意图

③ 10盘产品叠层示意图



④ 7盘产品入防水袋示意图

⑤ 产品入外箱示意图

图四

图三



1000	10	10000 PCS	-- KG	-- KG
PCS/ REEL	REELS/ CARTON	QUANTITY	GROSS WEIGHT	NET WEIGHT

								GENERAL TOLERANCE	<b>昆旺精密连接器有限公司</b> VIGORCONN PRECISION CONNECTOR CO., LTD	PART NO. KWUB31A-24 C2-L V3 TA-24006					
								.X ±0.30		TITLE. USB3.1 C-Type-母座					
								.XX ±0.20		APPROVAL	CHECK	DRAWN	DATA		
								.XXX ±0.10		Kim Huang	Jova Lau	Xiao Wen Xuan	2019/08/15		
DATE	OLD REV	NEW REV	ECN	DESCRIPTION	CHECK	APPROVAL	PROJECT					UNIT	SCALE	NUMBER	REV
												MM	1:1	A-00	A

1 2 3 4 5 6 7 8